

| Mechanical data | | |
|----------------------|----------------|------|
| ITEM | SPECIFICATION | UNIT |
| Module Size(W*H*T) | 52.2*42.9*12.7 | mm |
| Viewing Area(W*H) | 48*12.0 | mm |
| Internal Area(W*H) | 40.02*6.96 | mm |
| Dot Pitch(W*H) | 0.88*0.88 | mm |
| Dot Size(W*H) | 0.8*0.8 | mm |
| Character Pitch(W*H) | 5.1 | mm |
| Character Size(W*H) | 4.32*6.96 | mm |
| Number of Character | 8*1 | Char |
| Weight | -- | g |

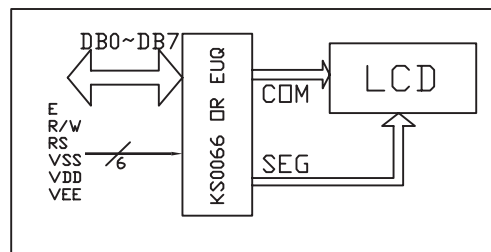
| ABSOLUTE MAXIMUM RATINGS(25°C) | | | | |
|--------------------------------|--------|----------|---------|------|
| PARAMETER | SYMBOL | MIN | MAX | UNIT |
| SUPPLY VOLTAGE LOGIC | VDD | -0.3 | +7.0 | V |
| SUPPLY VOLTAGE DRIVER | VLCD | VDD-15.0 | VDD+0.3 | V |
| INPUT VOLTAGE | VIN | -0.3 | VDD+0.3 | V |

| TYPE | |
|-----------|--|
| LCD MODE | EBT, TN, STN(YELLOW GREEN), STN(GRAY), STN(BLUE) |
| POLARIZER | REFLECTIVE, TRANSELECTIVE, TRANSMISSIVE |
| BACKLIGHT | LED BOTTOM LIGHT(YELLOW-GREEN), EL BACKLIGHT |

| PIN CONFIGURATION | | |
|-------------------|--------|-------------------------------------|
| ITEM | SYMBOL | DESCRIPTION |
| 1 | VSS | Power GND |
| 2 | VDD | Power Positive |
| 3 | V0 | Operating Voltage for LCD(Variable) |
| 4 | RS | Register Select |
| 5 | R/W | Read/Write Select |
| 6 | E | Enable Signal |
| 7 | DB0 | Data Bus |
| 8 | DB1 | Data Bus |
| 9 | DB2 | Data Bus |
| 10 | DB3 | Data Bus |
| 11 | DB4 | Data Bus |
| 12 | DB5 | Data Bus |
| 13 | DB6 | Data Bus |
| 14 | DB7 | Data Bus |
| 15 | NC | No Connect |
| 16 | NC | No Connect |

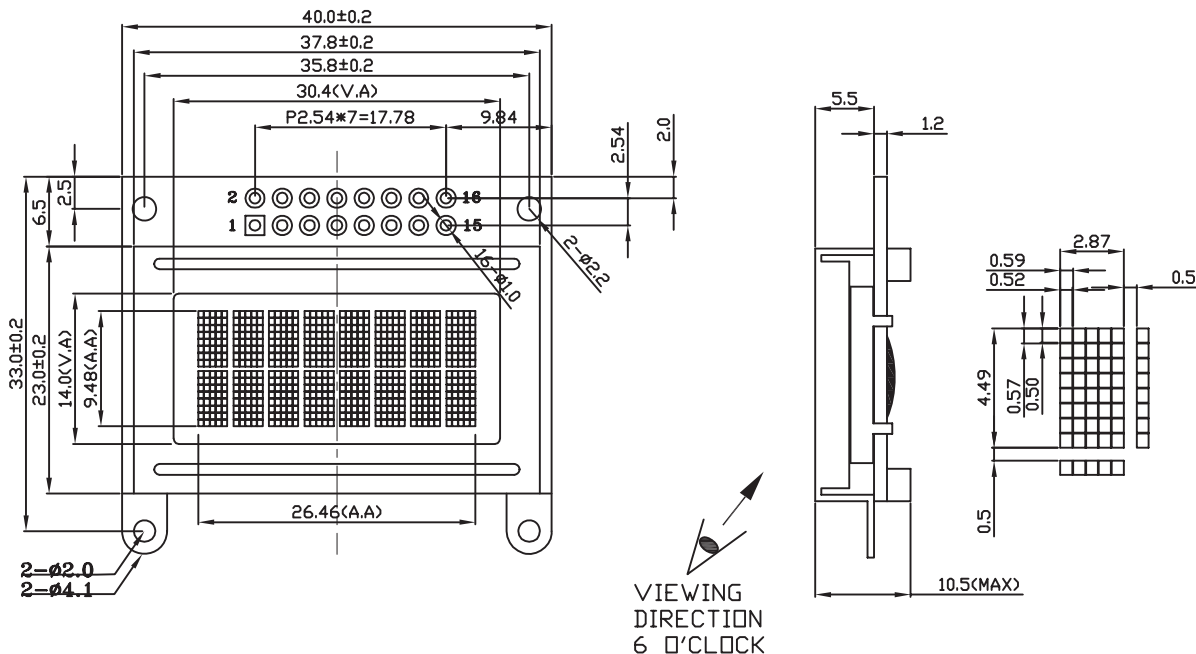
NOTE:

1. ALL DIMENSIONS ARE IN mm
2. MULTIPLEX LEVEL -- 1/8 DUTY 1/4 BIAS
3. DRIVING VOLTAGE -- VDD=5.0V VLCD=4.5V
4. OPERATING TEMPERATURE: 0°C TO 50°C
STORAGE TEMPERATURE: -20°C TO 70°C
5. TN / REFLECTIVE / POSITIVE MODE
6. VIEWING ANGLE: 6 O'CLOCK OR 12 O'CLOCK
7. CONNECTOR: COB



BLOCK DIAGRAM

型号: LN081-A



| Mechanical data | | |
|----------------------|-----------------|------|
| ITEM | SPECIFICATION | UNIT |
| Module Size(W*H*T) | 40.0*35.05*10.5 | mm |
| Viewing Area(W*H) | 30.4*14.0 | mm |
| Internal Area(W*H) | 26.46*9.48 | mm |
| Dot Pitch(W*H) | 0.59*0.57 | mm |
| Dot Size(W*H) | 0.52*0.50 | mm |
| Character Pitch(W*H) | 3.37*4.99 | mm |
| Character Size(W*H) | 2.84*4.49 | mm |
| Number of Character | 8*2 | Char |
| Weight | -- | g |

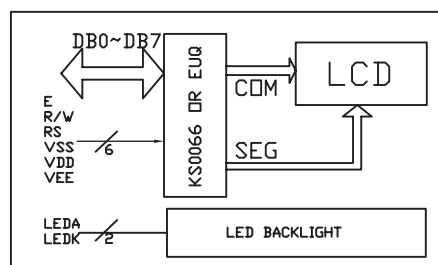
| ABSOLUTE MAXIMUM RATINGS(25°C) | | | | |
|--------------------------------|--------|----------|---------|------|
| PARAMETER | SYMBOL | MIN | MAX | UNIT |
| SUPPLY VOLTAGE LOGIC | VDD | -0.3 | +7.0 | V |
| SUPPLY VOLTAGE DRIVER | VLCD | VDD-15.0 | VDD+0.3 | V |
| INPUT VOLTAGE | VIN | -0.3 | VDD+0.3 | V |

| TYPE | |
|-----------|--|
| LCD MODE | EBT, TN, STN(YELLOW GREEN), STN(GRAY), STN(BLUE) |
| POLARIZER | REFLECTIVE, TRANSFLECTIVE, TRANSMISSIVE |
| BACKLIGHT | LED BOTTOM LIGHT(YELLOW-GREEN), EL BACKLIGHT |

| PIN CONFIGURATION | | |
|-------------------|--------|--------------------------------------|
| ITEM | SYMBOL | DESCRIPTION |
| 1 | VSS | Power GND |
| 2 | VDD | Power Positive |
| 3 | V0 | Operating Voltage for LCD (Variable) |
| 4 | RS | Register Select |
| 5 | R/W | Read/Write Select |
| 6 | E | Enable Signal |
| 7 | DB0 | Data Bus |
| 8 | DB1 | Data Bus |
| 9 | DB2 | Data Bus |
| 10 | DB3 | Data Bus |
| 11 | DB4 | Data Bus |
| 12 | DB5 | Data Bus |
| 13 | DB6 | Data Bus |
| 14 | DB7 | Data Bus |
| 15 | LEDA | LED Supply Voltage + (5V) |
| 16 | LEDK | LED Supply Voltage - (0V) |

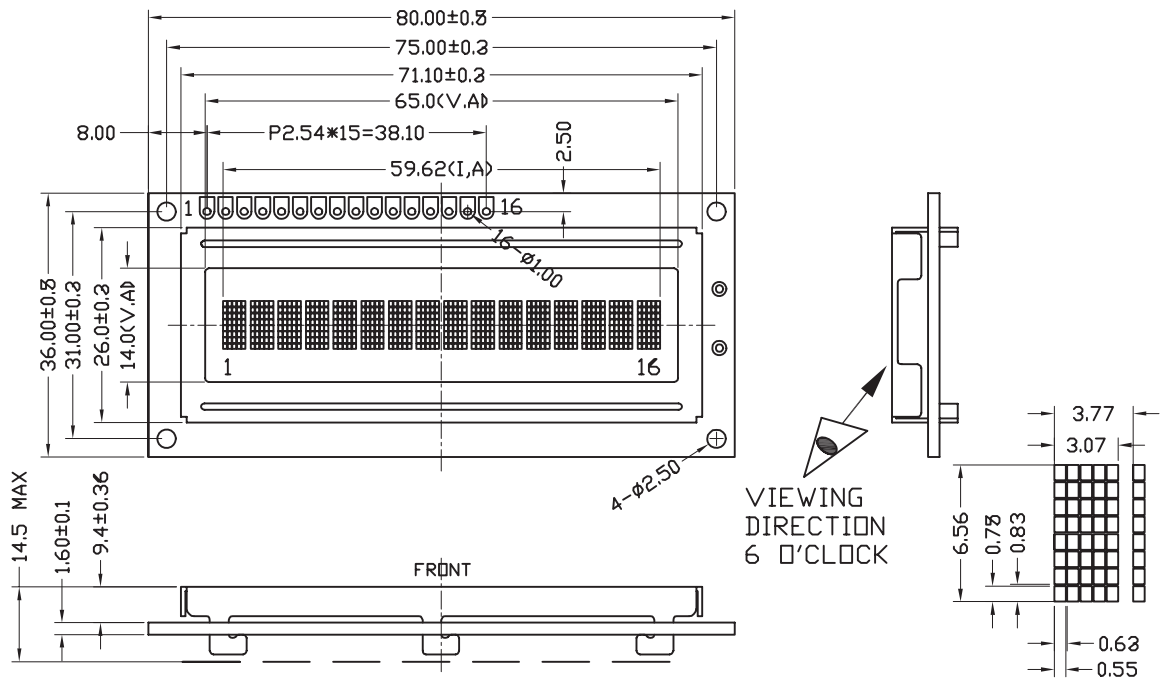
NOTE:

1. ALL DIMENSIONS ARE IN mm
2. MULTIPLEX LEVEL -- 1/8 DUTY 1/4 BIAS
3. DRIVING VOLTAGE -- VDD=5.0V VLCD=4.8V
4. OPERATING TEMPERATURE: 0°C TO 50°C
STORAGE TEMPERATURE: -20°C TO 70°C
5. STN(blue) negative MODE
6. VIEWING ANGLE: 6 O'CLOCK OR 12 O'CLOCK
7. CONNECTOR: COB



BLOCK DIAGRAM

型号: LN082-A



| Mechanical data | | |
|----------------------|----------------|------|
| ITEM | SPECIFICATION | UNIT |
| Module Size(W*H*T) | 80.0*36.0*14.5 | mm |
| Viewing Area(W*H) | 65*14 | mm |
| Internal Area(W*H) | 59.62*6.56 | mm |
| Dot Pitch(W*H) | 0.63*0.83 | mm |
| Dot Size(W*H) | 0.55*0.73 | mm |
| Character Pitch(W*H) | 3.14*6.56 | mm |
| Character Size(W*H) | 3.07*6.56 | mm |
| Number of Character | 16*1 | Char |
| Weight | -- | g |

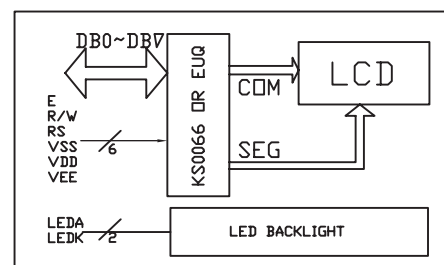
| ABSOLUTE MAXIMUM RATINGS(25°C) | | | | |
|--------------------------------|--------|----------|---------|------|
| PARAMETER | SYMBOL | MIN | MAX | UNIT |
| SUPPLY VOLTAGE LOGIC | VDD | -0.3 | +7.0 | V |
| SUPPLY VOLTAGE DRIVER | VLCD | VDD-15.0 | VDD+0.3 | V |
| INPUT VOLTAGE | VIN | -0.3 | VDD+0.3 | V |

| TYPE | |
|-----------|--|
| LCD MODE | EBT, TN, STN(YELLOW GREEN), STN(GRAY), STN(BLUE) |
| POLARIZER | REFLECTIVE, TRANFLECTIVE, TRANSMISSIVE |
| BACKLIGHT | LED BOTTOM LIGHT(YELLOW-GREEN), EL BACKLIGHT |

| PIN CONFIGURATION | | |
|-------------------|--------|--------------------------------------|
| ITEM | SYMBOL | DESCRIPTION |
| 1 | VSS | Power GND |
| 2 | VDD | Power Positive |
| 3 | V0 | Operating Voltage for LCD (Variable) |
| 4 | RS | Register Select |
| 5 | R/W | Read/Write Select |
| 6 | E | Enable Signal |
| 7 | DB0 | Data Bus |
| 8 | DB1 | Data Bus |
| 9 | DB2 | Data Bus |
| 10 | DB3 | Data Bus |
| 11 | DB4 | Data Bus |
| 12 | DB5 | Data Bus |
| 13 | DB6 | Data Bus |
| 14 | DB7 | Data Bus |
| 15 | LEDA | LED Supply Voltage + (5V) |
| 16 | LEDK | ED Supply Voltage - (0V) |

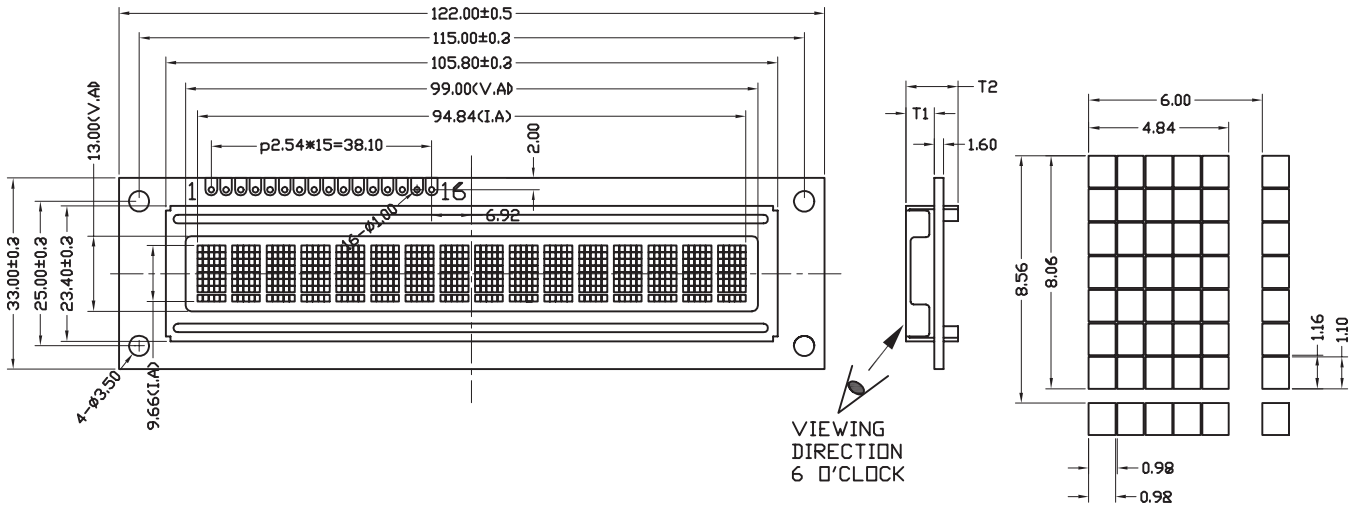
NOTE:

1. ALL DIMENSIONS ARE IN mm
2. MULTIPLEX LEVEL -- 1/8 DUTY 1/4 BIAS
3. DRIVING VOLTAGE -- VDD=5.0V VLCD=4.5V
4. OPERATING TEMPERATURE: 0°C TO 50°C
STORAGE TEMPERATURE: -20°C TO 70°C
5. STN YELLOW \ GREEN TRANFLECTIVE POSITIVE MODE
6. VIEWING ANGLE: 6 O'CLOCK OR 12 O'CLOCK
7. CONNECTOR: COB



BLOCK DIAGRAM

型号: LN1601-A



| Mechanical data | | |
|----------------------|-----------------|------|
| ITEM | SPECIFICATION | UNIT |
| Module Size(W*H*T) | 122.0*33.0*15.0 | mm |
| Viewing Area(W*H) | 99*13.0 | mm |
| Internal Area(W*H) | 94.84*9.66 | mm |
| Dot Pitch(W*H) | 0.98*1.16 | mm |
| Dot Size(W*H) | 0.92*1.1 | mm |
| Character Pitch(W*H) | 6*8.56 | mm |
| Character Size(W*H) | 4.84*8.06 | mm |
| Number of Character | 16*1 | Char |
| Weight | -- | g |

| THICKNESS: | | |
|-------------|--------|--------|
| | T1 | T2 |
| WITHOUT B/L | 5.4mm | 10.5mm |
| LED B/L | 10.0mm | 15.0mm |

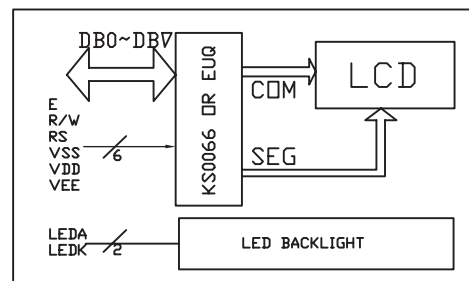
| ABSOLUTE MAXIMUM RATINGS(25°C) | | | | |
|--------------------------------|--------|----------|---------|------|
| PARAMETER | SYMBOL | MIN | MAX | UNIT |
| SUPPLY VOLTAGE LOGIC | VDD | -0.3 | +7.0 | V |
| SUPPLY VOLTAGE DRIVER | VLCD | VDD-15.0 | VDD+0.3 | V |
| INPUT VOLTAGE | VIN | -0.3 | VDD+0.3 | V |

| PIN CONFIGURATION | | |
|-------------------|--------|--------------------------------------|
| ITEM | SYMBOL | DESCRIPTION |
| 1 | VSS | Power GND |
| 2 | VDD | Power Positive |
| 3 | V0 | Operating Voltage for LCD (Variable) |
| 4 | RS | Register Select |
| 5 | R/W | Read/Write Select |
| 6 | E | Enable Signal |
| 7 | DB0 | Data Bus |
| 8 | DB1 | Data Bus |
| 9 | DB2 | Data Bus |
| 10 | DB3 | Data Bus |
| 11 | DB4 | Data Bus |
| 12 | DB5 | Data Bus |
| 13 | DB6 | Data Bus |
| 14 | DB7 | Data Bus |
| 15 | LEDA | LED Supply Voltage + (5V) |
| 16 | LEDK | ED Supply Voltage - (0V) |

| TYPE | |
|-----------|--|
| LCD MODE | EBT, TN, STN(YELLOW GREEN), STN(GRAY), STN(BLUE) |
| POLARIZER | REFLECTIVE, TRANSFLECTIVE, TRANSMISSIVE |
| BACKLIGHT | LED BOTTOM LIGHT(YELLOW-GREEN), EL BACKLIGHT |

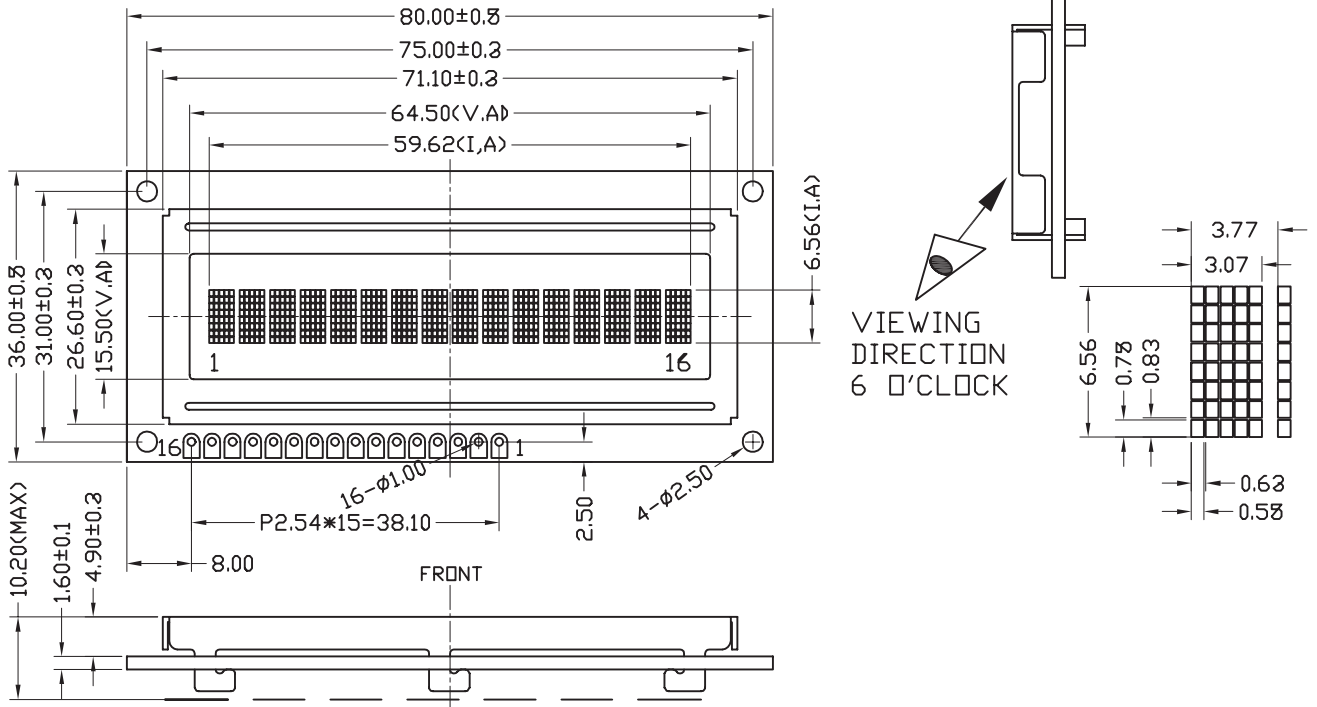
NOTE:

1. ALL DIMENSIONS ARE IN mm
2. MULTIPLEX LEVEL -- 1/8 DUTY 1/4 BIAS
3. DRIVING VOLTAGE -- VDD=5.0V VLCD=4.5V
4. OPERATING TEMPERATURE: 0°C TO 50°C
STORAGE TEMPERATURE: -20°C TO 70°C
5. STN YELLOW \ GREEN TRANSFLECTIVE POSITIVE MODE
6. VIEWING ANGLE: 6 O'CLOCK OR 12 O'CLOCK
7. CONNECTOR: COB



BLOCK DIAGRAM

型号: LN1601-B



| Mechanical data | | |
|----------------------|----------------|------|
| ITEM | SPECIFICATION | UNIT |
| Module Size(W*H*T) | 80.0*36.0*10.2 | mm |
| Viewing Area(W*H) | 64.5*15.5 | mm |
| Internal Area(W*H) | 59.62*6.56 | mm |
| Dot Pitch(W*H) | 0.63*0.83 | mm |
| Dot Size(W*H) | 0.55*0.75 | mm |
| Character Pitch(W*H) | 3.77*6.56 | mm |
| Character Size(W*H) | 3.07*6.56 | mm |
| Number of Character | 16*1 | Char |
| Weight | -- | g |

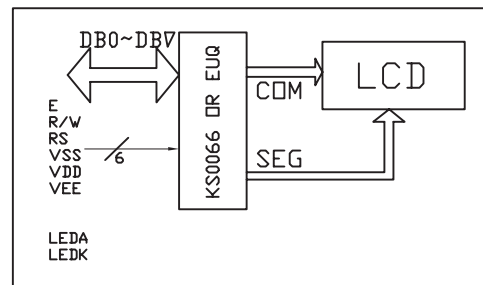
| ABSOLUTE MAXIMUM RATINGS(25°C) | | | | |
|--------------------------------|--------|----------|---------|------|
| PARAMETER | SYMBOL | MIN | MAX | UNIT |
| SUPPLY VOLTAGE LOGIC | VDD | -0.3 | +7.0 | V |
| SUPPLY VOLTAGE DRIVER | VLCD | VDD-15.0 | VDD+0.3 | V |
| INPUT VOLTAGE | VIN | -0.3 | VDD+0.3 | V |

| TYPE | |
|-----------|--|
| LCD MODE | EBT, TN, STN(YELLOW GREEN), STN(GRAY), STN(BLUE) |
| POLARIZER | REFLECTIVE, TRANSFLECTIVE, TRANSMISSIVE |
| BACKLIGHT | LED BOTTOM LIGHT(YELLOW-GREEN), EL BACKLIGHT |

| PIN CONFIGURATION | | |
|-------------------|--------|--------------------------------------|
| ITEM | SYMBOL | DESCRIPTION |
| 1 | VSS | Power GND |
| 2 | VDD | Power Positive |
| 3 | V0 | Operating Voltage for LCD (Variable) |
| 4 | RS | Register Select |
| 5 | R/W | Read/Write Select |
| 6 | E | Enable Signal |
| 7 | DB0 | Data Bus |
| 8 | DB1 | Data Bus |
| 9 | DB2 | Data Bus |
| 10 | DB3 | Data Bus |
| 11 | DB4 | Data Bus |
| 12 | DB5 | Data Bus |
| 13 | DB6 | Data Bus |
| 14 | DB7 | Data Bus |
| 15 | LEDA | NC |
| 16 | LEDK | NC |

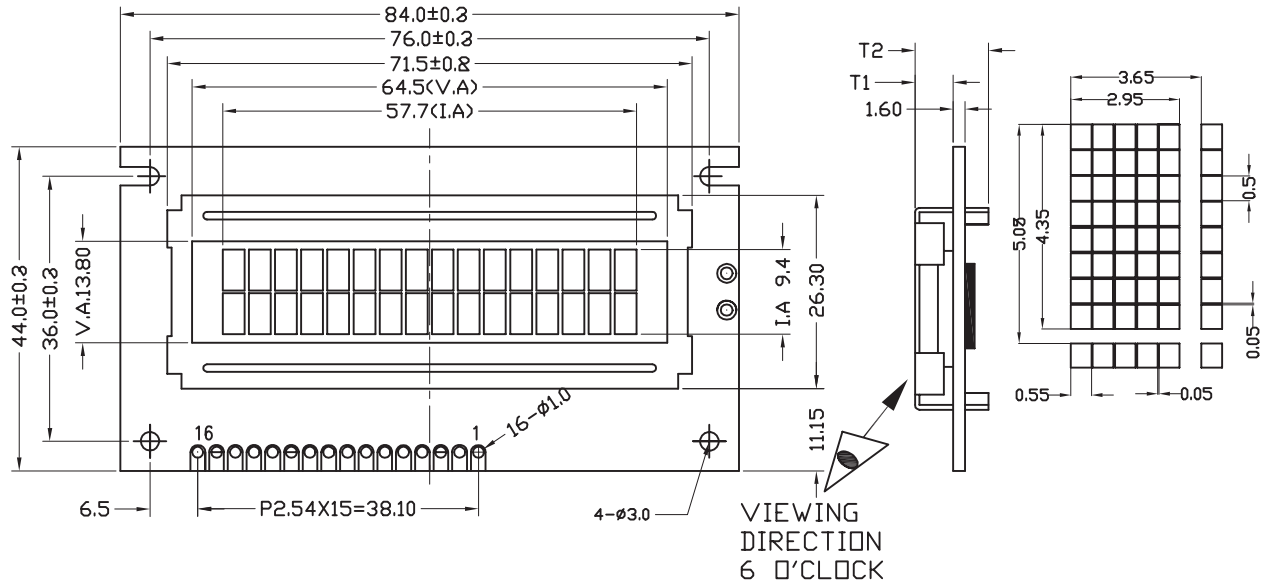
NOTE:

1. ALL DIMENSIONS ARE IN mm
2. MULTIPLEX LEVEL -- 1/8 DUTY 1/4 BIAS
3. DRIVING VOLTAGE -- VDD=5.0V VLCD=4.5V
4. OPERATING TEMPERATURE: 0°C TO 50°C
STORAGE TEMPERATURE: -20°C TO 70°C
5. STN YELLOW \ GREEN TRANSFLECTIVE POSITIVE MODE
6. VIEWING ANGLE: 6 O'CLOCK OR 12 O'CLOCK
7. CONNECTOR: COB



BLOCK DIAGRAM

型号: LN1601-C



| Mechanical data | | |
|----------------------|----------------|------|
| ITEM | SPECIFICATION | UNIT |
| Module Size(W*H*T) | 84.0*36.0*14.0 | mm |
| Viewing Area(W*H) | 64.5*13.8 | mm |
| Internal Area(W*H) | 57.7*9.4 | mm |
| Dot Pitch(W*H) | 0.6*0.55 | mm |
| Dot Size(W*H) | 0.55*0.5 | mm |
| Character Pitch(W*H) | 3.65*5.05 | mm |
| Character Size(W*H) | 2.95*4.35 | mm |
| Number of Character | 16*2 | Char |
| Weight | -- | g |

| THICKNESS: | | |
|-------------|---------|---------|
| | T1 | T2 |
| WITHOUT B/L | 4.9±0.3 | 10.0MAX |
| LED B/L | 8.9±0.3 | 14.0MAX |

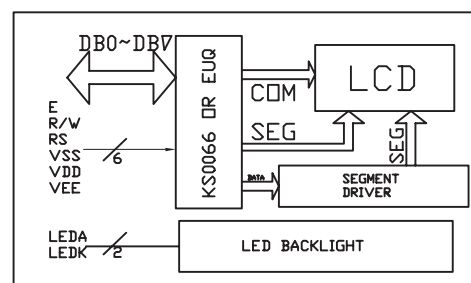
| ABSOLUTE MAXIMUM RATINGS(25°C) | | | | |
|--------------------------------|--------|----------|---------|------|
| PARAMETER | SYMBOL | MIN | MAX | UNIT |
| SUPPLY VOLTAGE LOGIC | VDD | -0.3 | +7.0 | V |
| SUPPLY VOLTAGE DRIVER | VLCD | VDD-15.0 | VDD+0.3 | V |
| INPUT VOLTAGE | VIN | -0.3 | VDD+0.3 | V |

| PIN CONFIGURATION | | |
|-------------------|--------|-------------------------------------|
| ITEM | SYMBOL | DESCRIPTION |
| 1 | LEDA | LED Supply Voltage + (5V) |
| 2 | LEDK | LED Supply Voltage -(0V) |
| 3 | VSS | Power GND |
| 4 | VDD | Power Positive |
| 5 | V0 | Operating Votage for LCD (Variable) |
| 6 | RS | Register Select |
| 7 | R/W | Read/Write Select |
| 8 | E | Enable Signal |
| 9 | DB0 | Data Bus |
| 10 | DB1 | Data Bus |
| 11 | DB2 | Data Bus |
| 12 | DB3 | Data Bus |
| 13 | DB4 | Data Bus |
| 14 | DB5 | Data Bus |
| 15 | DB6 | Data Bus |
| 16 | DB7 | Data Bus |

| TYPE | |
|-----------|--|
| LCD MODE | EBT, TN, STN(YELLOW GREEN), STN(GRAY), STN(BLUE) |
| POLARIZER | REFLECTIVE, TRANSFLECTIVE, TRANSMISSIVE |
| BACKLIGHT | LED BOTTOM LIGHT(YELLOW-GREEN), EL BACKLIGHT |

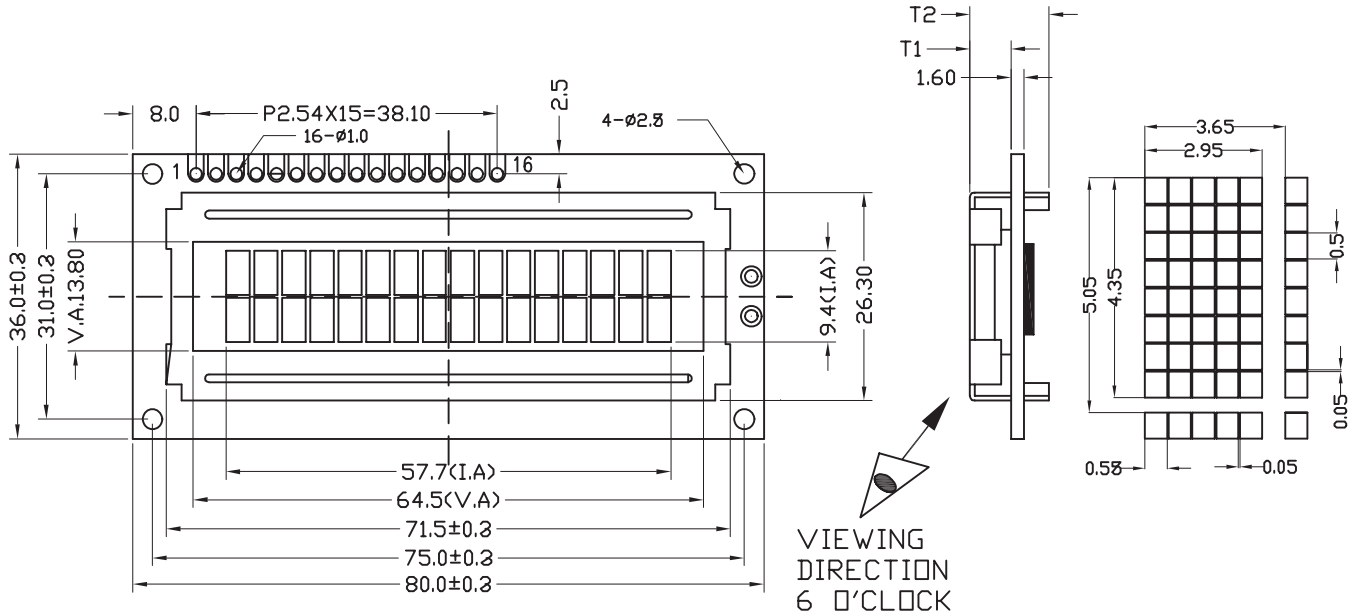
NOTE:

1. ALL DIMENSIONS ARE IN mm
2. MULTIPLEX LEVEL -- 1/16 DUTY 1/5 BIAS
3. DRIVING VOLTAGE -- VDD=5.0V VLCD=4.7V
4. OPERATING TEMPERATURE: 0°C TO 50°C
STORAGE TEMPERATURE: -20°C TO 70°C
5. STN YELLOWGREEN TRANSFLECTIVE POSITIVE MODE
6. VIEWING ANGLE: 6 O'CLOCK OR 12 O'CLOCK
7. CONNECTOR: COB



BLOCK DIAGRAM

型号: LN1602-A



| Mechanical data | | |
|----------------------|----------------|------|
| ITEM | SPECIFICATION | UNIT |
| Module Size(W*H*T) | 84.0*36.0*14.0 | mm |
| Viewing Area(W*H) | 64.5*31.8 | mm |
| Internal Area(W*H) | 57.7*9.4 | mm |
| Dot Pitch(W*H) | 0.6*0.55 | mm |
| Dot Size(W*H) | 0.55*0.5 | mm |
| Character Pitch(W*H) | 3.65*5.05 | mm |
| Character Size(W*H) | 2.95*4.35 | mm |
| Number of Character | 16*2 | Char |
| Weight | -- | g |

| THICKNESS: | | |
|-------------|---------|---------|
| | T1 | T2 |
| WITHOUT B/L | 4.9±0.3 | 10.0MAX |
| LED B/L | 8.9±0.3 | 14.0MAX |

| PIN CONFIGURATION | | |
|-------------------|--------|-------------------------------------|
| ITEM | SYMBOL | DESCRIPTION |
| 1 | VSS | Power GND |
| 2 | VDD | Power Positive |
| 3 | V0 | Operating Votage for LCD (Variable) |
| 4 | RS | Register Select |
| 5 | R/W | Read/Write Select |
| 6 | E | Enable Signal |
| 7 | DB0 | Data Bus |
| 8 | DB1 | Data Bus |
| 9 | DB2 | Data Bus |
| 10 | DB3 | Data Bus |
| 11 | DB4 | Data Bus |
| 12 | DB5 | Data Bus |
| 13 | DB6 | Data Bus |
| 14 | DB7 | Data Bus |
| 15 | LEDA | LED Supply Voltage + (5V) |
| 16 | LEDK | LED Supply Voltage - (0V) |

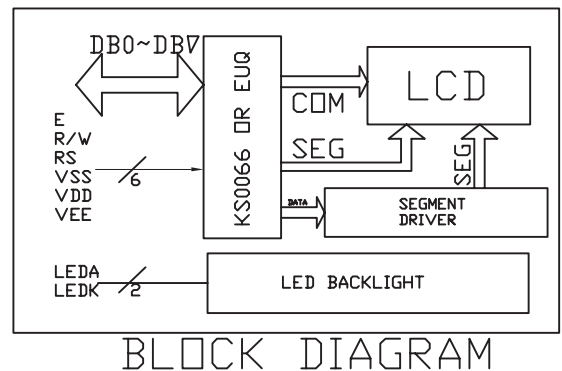
| ABSOLUTE MAXIMUM RATINGS(25°C) | | | | |
|--------------------------------|--------|----------|---------|------|
| PARAMETER | SYMBOL | MIN | MAX | UNIT |
| SUPPLY VOLTAGE LOGIC | VDD | -0.3 | +7.0 | V |
| SUPPLY VOLTAGE DRIVER | VLCD | VDD-15.0 | VDD+0.3 | V |
| INPUT VOLTAGE | VIN | -0.3 | VDD+0.3 | V |

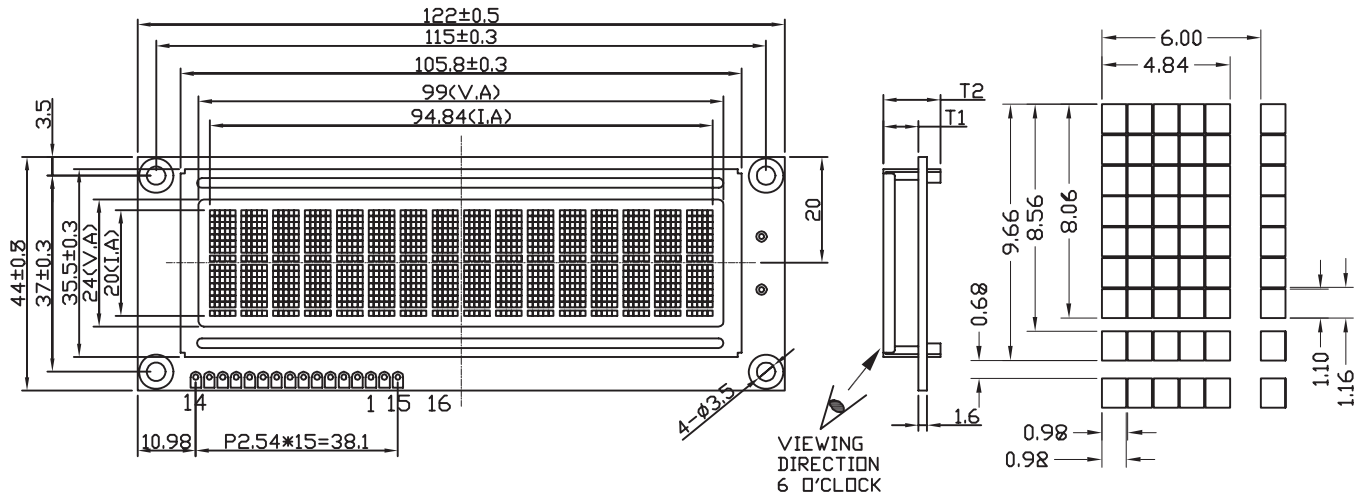
| TYPE | |
|-----------|--|
| LCD MODE | EBT,TN,STN(YELLOW GREEN),STN(GRAY),STN(BLUE) |
| POLARIZER | REFLECTIVE,TRANSFLECTIVE,TRANSMISSIVE |
| BACKLIGHT | LED BOTTOM LIGHT(YELLOW-GREEN),EL BACKLIGHT |

NOTE:

1. ALL DIMENSIONS ARE IN mm
2. MULTIPLEX LEVEL -- 1/16 DUTY 1/5 BIAS
3. DRIVING VOLTAGE -- VDD=5.0V VLCD=4.7V
4. OPERATING TEMPERATURE: 0°C TO 50°C
STORAGE TEMPERATURE: -20°C TO 70°C
5. STN YELLOW/GREEN TRANSFLECTIVE POSITIVE MODE
6. VIEWING ANGLE: 6 O'CLOCK OR 12 O'CLOCK
7. CONNECTOR: COB

型号: LN1602-B





| Mechanical data | | |
|----------------------|-----------------|------|
| ITEM | SPECIFICATION | UNIT |
| Module Size(W*H*T) | 122.0*44.0*14.5 | mm |
| Viewing Area(W*H) | 99.0*24.0 | mm |
| Internal Area(W*H) | 94.84*20.0 | mm |
| Dot Pitch(W*H) | 0.98*1.16 | mm |
| Dot Size(W*H) | 0.92*1.1 | mm |
| Character Pitch(W*H) | 4.84*9.66 | mm |
| Character Size(W*H) | 6.0*10.34 | mm |
| Number of Character | 16*2 | Char |
| Weight | -- | g |

| THICKNESS: | | |
|-------------|---------|---------|
| | T1 | T2 |
| WITHOUT B/L | 5.4±0.3 | 10.5MAX |
| LED B/L | 9.5±0.3 | 14.5MAX |

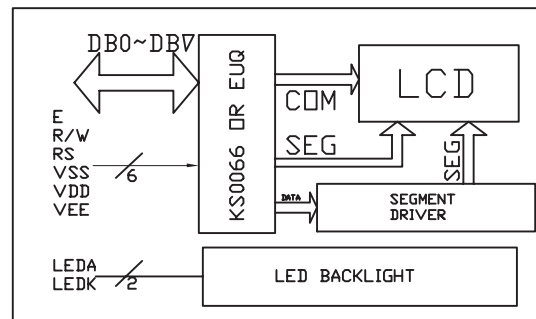
| ABSOLUTE MAXIMUM RATINGS(25°C) | | | | |
|--------------------------------|--------|----------|---------|------|
| PARAMETER | SYMBOL | MIN | MAX | UNIT |
| SUPPLY VOLTAGE LOGIC | VDD | -0.3 | +7.0 | V |
| SUPPLY VOLTAGE DRIVER | VLCD | VDD-15.0 | VDD+0.3 | V |
| INPUT VOLTAGE | VIN | -0.3 | VDD+0.3 | V |

| PIN CONFIGURATION | | |
|-------------------|--------|--------------------------------------|
| ITEM | SYMBOL | DESCRIPTION |
| 1 | VSS | Power GND |
| 2 | VDD | Power Positive |
| 3 | V0 | Operating Voltage for LCD (Variable) |
| 4 | RS | Register Select |
| 5 | R/W | Read/Write Select |
| 6 | E | Enable Signal |
| 7 | DB0 | Data Bus |
| 8 | DB1 | Data Bus |
| 9 | DB2 | Data Bus |
| 10 | DB3 | Data Bus |
| 11 | DB4 | Data Bus |
| 12 | DB5 | Data Bus |
| 13 | DB6 | Data Bus |
| 14 | DB7 | Data Bus |
| 15 | LEDA | LED Supply Voltage + (5V) |
| 16 | LEDK | LED Supply Voltage - (0V) |

| TYPE | |
|-----------|--|
| LCD MODE | EBT, TN, STN(YELLOW GREEN), STN(GRAY), STN(BLUE) |
| POLARIZER | REFLECTIVE, TRANSFLECTIVE, TRANSMISSIVE |
| BACKLIGHT | LED BOTTOM LIGHT(YELLOW-GREEN), EL BACKLIGHT |

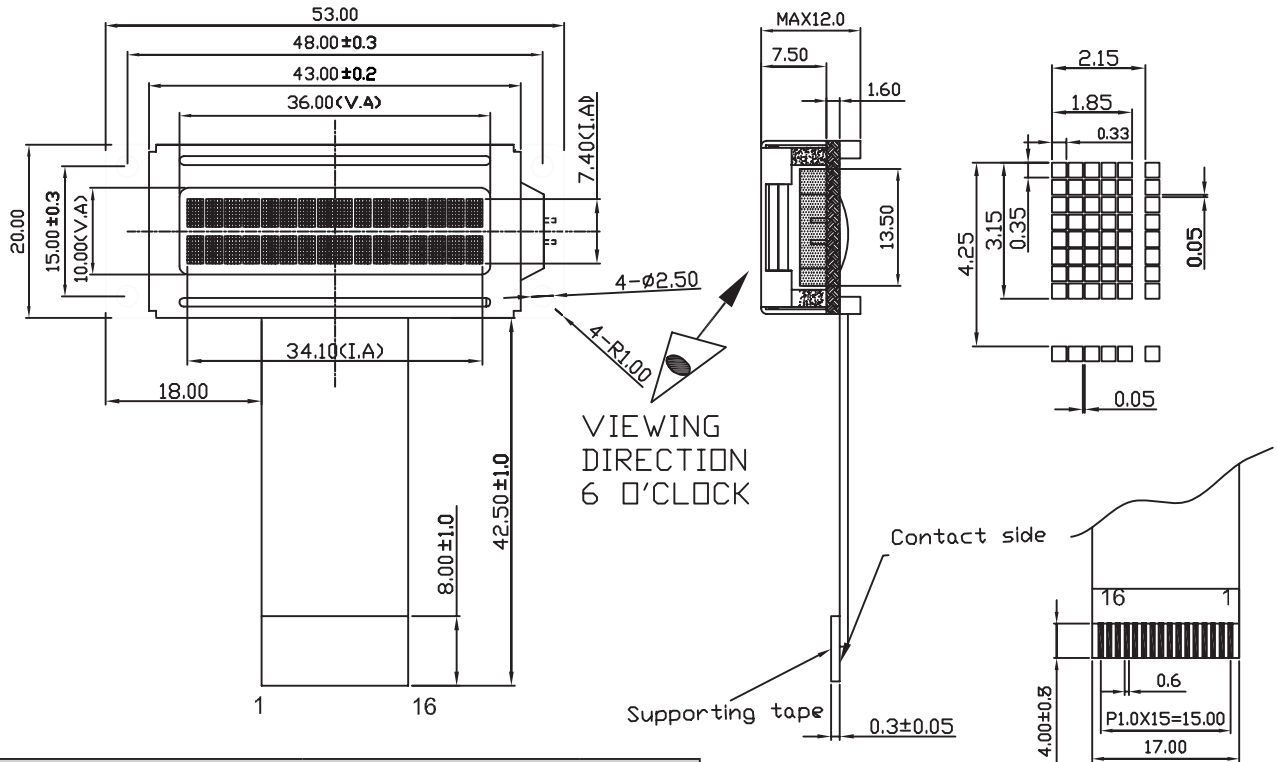
NOTE:

- ALL DIMENSIONS ARE IN mm
- MULTIPLEX LEVEL -- 1/16 DUTY 1/5 BIAS
- DRIVING VOLTAGE -- VDD=5.0V VLCD=4.7V
- OPERATING TEMPERATURE: 0°C TO 50°C
STORAGE TEMPERATURE: -20°C TO 70°C
- STN YELLOWGREEN TRANSFLECTIVE POSITIVE MODE
- VIEWING ANGLE: 6 O'CLOCK OR 12 O'CLOCK
- CONNECTOR: COB



BLOCK DIAGRAM

型号: LN1602-C



| Mechanical data | | |
|----------------------|----------------|------|
| ITEM | SPECIFICATION | UNIT |
| Module Size(W*H*T) | 80.0*36.0*10.0 | mm |
| Viewing Area(W*H) | 64.0*16.0 | mm |
| Internal Area(W*H) | 56.21*11.5 | mm |
| Dot Pitch(W*H) | 0.6*0.7 | mm |
| Dot Size(W*H) | 0.56*0.66 | mm |
| Character Pitch(W*H) | 3.55*5.94 | mm |
| Character Size(W*H) | 2.96*5.56 | mm |
| Number of Character | 16*2 | Char |
| Weight | -- | g |

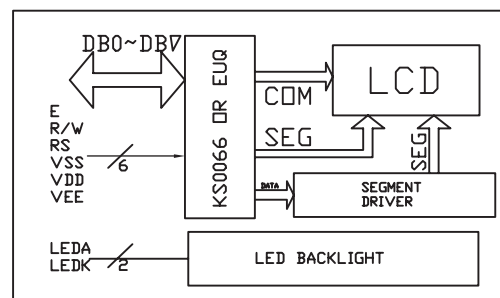
| ABSOLUTE MAXIMUM RATINGS(25°C) | | | | |
|--------------------------------|--------|----------|---------|------|
| PARAMETER | SYMBOL | MIN | MAX | UNIT |
| SUPPLY VOLTAGE LOGIC | VDD | -0.3 | +7.0 | V |
| SUPPLY VOLTAGE DRIVER | VLCD | VDD-15.0 | VDD+0.3 | V |
| INPUT VOLTAGE | VIN | -0.3 | VDD+0.3 | V |

| TYPE | |
|-----------|--|
| LCD MODE | EBT, TN, STN(YELLOW GREEN), STN(GRAY), STN(BLUE) |
| POLARIZER | REFLECTIVE, TRANFLECTIVE, TRANSMISSIVE |
| BACKLIGHT | LED BOTTOM LIGHT(YELLOW-GREEN), EL BACKLIGHT |

| PIN CONFIGURATION | | |
|-------------------|--------|--------------------------------------|
| ITEM | SYMBOL | DESCRIPTION |
| 1 | VSS | Power GND |
| 2 | VDD | Power Positive |
| 3 | V0 | Operating Voltage for LCD (Variable) |
| 4 | RS | Register Select |
| 5 | R/W | Read/Write Select |
| 6 | E | Enable Signal |
| 7 | DB0 | Data Bus |
| 8 | DB1 | Data Bus |
| 9 | DB2 | Data Bus |
| 10 | DB3 | Data Bus |
| 11 | DB4 | Data Bus |
| 12 | DB5 | Data Bus |
| 13 | DB6 | Data Bus |
| 14 | DB7 | Data Bus |
| 15 | LEDA | LED Supply Voltage + (5V) |
| 16 | LEDK | LED Supply Voltage - (0V) |

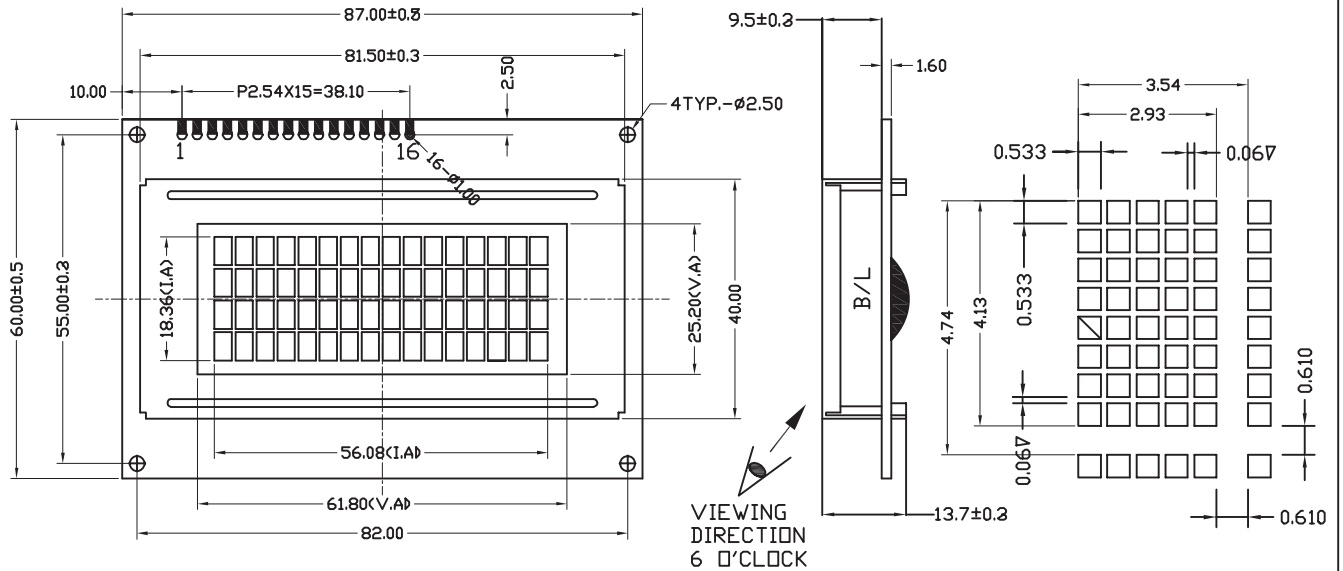
NOTE:

1. ALL DIMENSIONS ARE IN mm
2. MULTIPLEX LEVEL -- 1/16 DUTY 1/5 BIAS
3. DRIVING VOLTAGE -- VDD=5.0V VLCD=4.7V
4. OPERATING TEMPERATURE: 0°C TO 50°C
STORAGE TEMPERATURE: -20°C TO 70°C
5. STN YELLOWGREEN TRANFLECTIVE POSITIVE MODE
6. VIEWING ANGLE: 6 O'CLOCK OR 12 O'CLOCK
7. CONNECTOR: COB



型号: LN1602-E

BLOCK DIAGRAM



| Mechanical data | | |
|----------------------|----------------|------|
| ITEM | SPECIFICATION | UNIT |
| Module Size(W*H*T) | 87.0*60.0-13.7 | mm |
| Viewing Area(W*H) | 61.8*25.2 | mm |
| Internal Area(W*H) | 56.08*18.36 | mm |
| Dot Pitch(W*H) | 0.6*0.6 | mm |
| Dot Size(W*H) | 0.533*0.533 | mm |
| Character Pitch(W*H) | 3.54*4.74 | mm |
| Character Size(W*H) | 2.93*4.13 | mm |
| Number of Character | 16*4 | Char |
| Weight | -- | g |

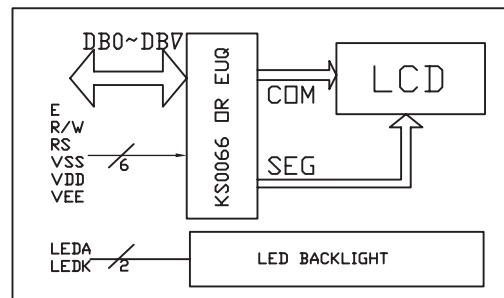
| ABSOLUTE MAXIMUM RATINGS(25°C) | | | | |
|--------------------------------|--------|----------|---------|------|
| PARAMETER | SYMBOL | MIN | MAX | UNIT |
| SUPPLY VOLTAGE LOGIC | VDD | -0.3 | +7.0 | V |
| SUPPLY VOLTAGE DRIVER | VLCD | VDD-15.0 | VDD+0.3 | V |
| INPUT VOLTAGE | VIN | -0.3 | VDD+0.3 | V |

| TYPE | |
|-----------|--|
| LCD MODE | EBT, TN, STN(YELLOW GREEN), STN(GRAY), STN(BLUE) |
| POLARIZER | REFLECTIVE, TRANFLECTIVE, TRANSMISSIVE |
| BACKLIGHT | LED BOTTOM LIGHT(YELLOW-GREEN), EL BACKLIGHT |

| PIN CONFIGURATION | | |
|-------------------|--------|--------------------------------------|
| ITEM | SYMBOL | DESCRIPTION |
| 1 | VSS | Power GND |
| 2 | VDD | Power Positive |
| 3 | V0 | Operating Voltage for LCD (Variable) |
| 4 | RS | Register Select |
| 5 | R/W | Read/Write Select |
| 6 | E | Enable Signal |
| 7 | DB0 | Data Bus |
| 8 | DB1 | Data Bus |
| 9 | DB2 | Data Bus |
| 10 | DB3 | Data Bus |
| 11 | DB4 | Data Bus |
| 12 | DB5 | Data Bus |
| 13 | DB6 | Data Bus |
| 14 | DB7 | Data Bus |
| 15 | LEDA | LED Supply Voltage + (5V) |
| 16 | LEDK | LED Supply Voltage - (0V) |

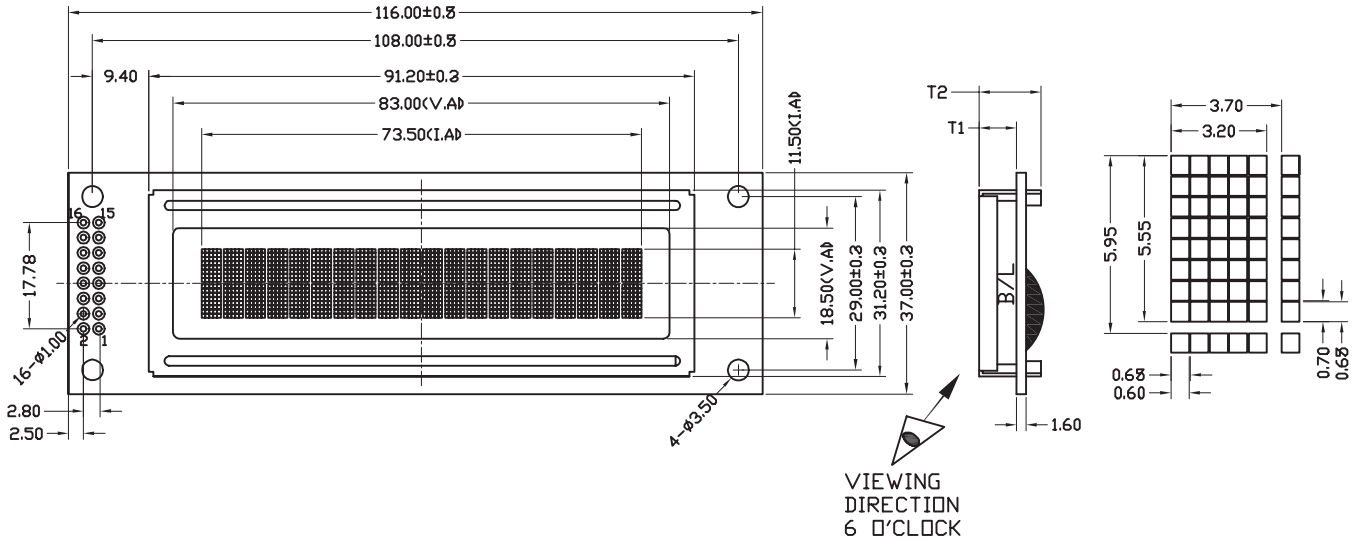
NOTE:

1. ALL DIMENSIONS ARE IN mm
2. MULTIPLEX LEVEL -- 1/16 DUTY 1/5 BIAS
3. DRIVING VOLTAGE -- VDD=5.0V VLCD=4.8V
4. OPERATING TEMPERATURE: 0°C TO 50°C
STORAGE TEMPERATURE: -20°C TO 70°C
5. STN YELLOWGREEN TRANFLECTIVE POSITIVE MODE
6. VIEWING ANGLE: 6 O'CLOCK OR 12 O'CLOCK
7. CONNECTOR: COB



BLOCK DIAGRAM

型号: LN1604-A



| Mechanical data | | |
|----------------------|-----------------|------|
| ITEM | SPECIFICATION | UNIT |
| Module Size(W*H*T) | 116.0*37.0*14.5 | mm |
| Viewing Area(W*H) | 83.0*18.5 | mm |
| Internal Area(W*H) | 73.5*11.5 | mm |
| Dot Pitch(W*H) | 0.65*0.7 | mm |
| Dot Size(W*H) | 0.6*0.65 | mm |
| Character Pitch(W*H) | 3.7*5.95 | mm |
| Character Size(W*H) | 3.2*5.55 | mm |
| Number of Character | 20*2 | Char |
| Weight | -- | g |

| ABSOLUTE MAXIMUM RATINGS(25°C) | | | | |
|--------------------------------|--------|----------|---------|------|
| PARAMETER | SYMBOL | MIN | MAX | UNIT |
| SUPPLY VOLTAGE LOGIC | VDD | -0.3 | +7.0 | V |
| SUPPLY VOLTAGE DRIVER | VLCD | VDD-15.0 | VDD+0.3 | V |
| INPUT VOLTAGE | VIN | -0.3 | VDD+0.3 | V |

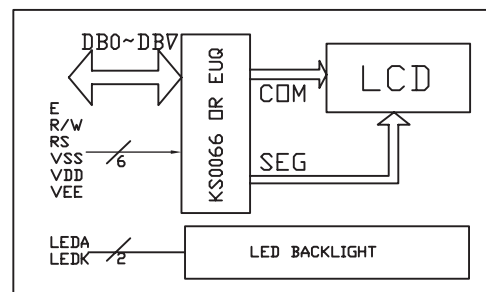
| TYPE | |
|-----------|--|
| LCD MODE | EBT, TN, STN(YELLOW GREEN), STN(GRAY), STN(BLUE) |
| POLARIZER | REFLECTIVE, TRANSFLECTIVE, TRANSMISSIVE |
| BACKLIGHT | LED BOTTOM LIGHT(YELLOW-GREEN), EL BACKLIGHT |

| THICKNESS: | | |
|-------------|-------|--------|
| | T1 | T2 |
| WITHOUT B/L | 4.9mm | 10.0mm |
| LED B/L | 9.4mm | 14.5mm |

| PIN CONFIGURATION | | |
|-------------------|--------|--------------------------------------|
| ITEM | SYMBOL | DESCRIPTION |
| 1 | VSS | Power GND |
| 2 | VDD | Power Positive |
| 3 | V0 | Operating Voltage for LCD (Variable) |
| 4 | RS | Register Select |
| 5 | R/W | Read/Write Select |
| 6 | E | Enable Signal |
| 7 | DB0 | Data Bus |
| 8 | DB1 | Data Bus |
| 9 | DB2 | Data Bus |
| 10 | DB3 | Data Bus |
| 11 | DB4 | Data Bus |
| 12 | DB5 | Data Bus |
| 13 | DB6 | Data Bus |
| 14 | DB7 | Data Bus |
| 15 | LEDA | LED Supply Voltage + (5V) |
| 16 | LEDK | LED Supply Voltage - (0V) |

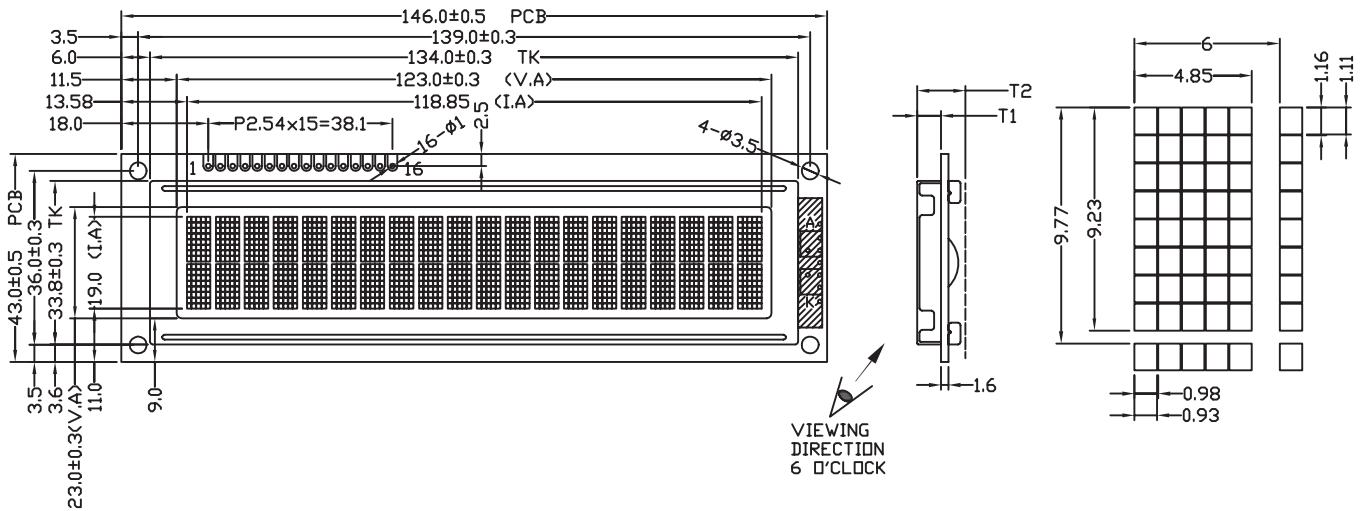
NOTE:

1. ALL DIMENSIONS ARE IN mm
2. MULTIPLEX LEVEL -- 1/16 DUTY 1/5 BIAS
3. DRIVING VOLTAGE -- VDD=5.0V VLCD=4.8V
4. OPERATING TEMPERATURE: 0°C TO 50°C
STORAGE TEMPERATURE: -20°C TO 70°C
5. STN YELLOWGREEN TRANSFLECTIVE POSITIVE MODE
6. VIEWING ANGLE: 6 O'CLOCK OR 12 O'CLOCK
7. CONNECTOR: COB



BLOCK DIAGRAM

型号: LN2002-A



| Mechanical data | | |
|----------------------|---------------|------|
| ITEM | SPECIFICATION | UNIT |
| Module Size(W*H*T) | 146.0*43.0 | mm |
| Viewing Area(W*H) | 123.0*23.0 | mm |
| Internal Area(W*H) | 118.5*19.0 | mm |
| Dot Pitch(W*H) | 0.98*1.16 | mm |
| Dot Size(W*H) | 0.93*1.11 | mm |
| Character Pitch(W*H) | 6.0*9.77 | mm |
| Character Size(W*H) | 4.85*9.23 | mm |
| Number of Character | 20.*2 | Char |
| Weight | -- | g |

| THICKNESS: | | |
|-------------|-------|--------|
| | T1 | T2 |
| WITHOUT B/L | 4.9mm | 10.0mm |
| LED B/L | 9.1mm | 14.2mm |

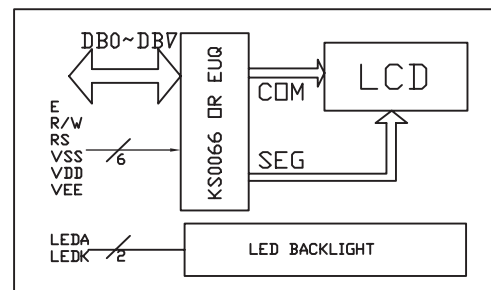
| ABSOLUTE MAXIMUM RATINGS(25°C) | | | | |
|--------------------------------|--------|----------|---------|------|
| PARAMETER | SYMBOL | MIN | MAX | UNIT |
| SUPPLY VOLTAGE LOGIC | VDD | -0.3 | +7.0 | V |
| SUPPLY VOLTAGE DRIVER | VLCD | VDD-15.0 | VDD+0.3 | V |
| INPUT VOLTAGE | VIN | -0.3 | VDD+0.3 | V |

| PIN CONFIGURATION | | |
|-------------------|--------|-------------------------------------|
| ITEM | SYMBOL | DESCRIPTION |
| 1 | VSS | Power GND |
| 2 | VDD | Power Positive |
| 3 | V0 | Operating Votage for LCD (Variable) |
| 4 | RS | Register Select |
| 5 | R/W | Read/Write Select |
| 6 | E | Enable Signal |
| 7 | DB0 | Data Bus |
| 8 | DB1 | Data Bus |
| 9 | DB2 | Data Bus |
| 10 | DB3 | Data Bus |
| 11 | DB4 | Data Bus |
| 12 | DB5 | Data Bus |
| 13 | DB6 | Data Bus |
| 14 | DB7 | Data Bus |
| 15 | LEDA | LED Supply Voltage + (5V) |
| 16 | LEDK | LED Supply Voltage - (0V) |

| TYPE | |
|-----------|--|
| LCD MODE | EBT,TN,STN(YELLOW GREEN),STN(GRAY),STN(BLUE) |
| POLARIZER | REFLECTIVE,TRANSFLECTIVE,TRANSMISSIVE |
| BACKLIGHT | LED BOTTOM LIGHT(YELLOW-GREEN),EL BACKLIGHT |

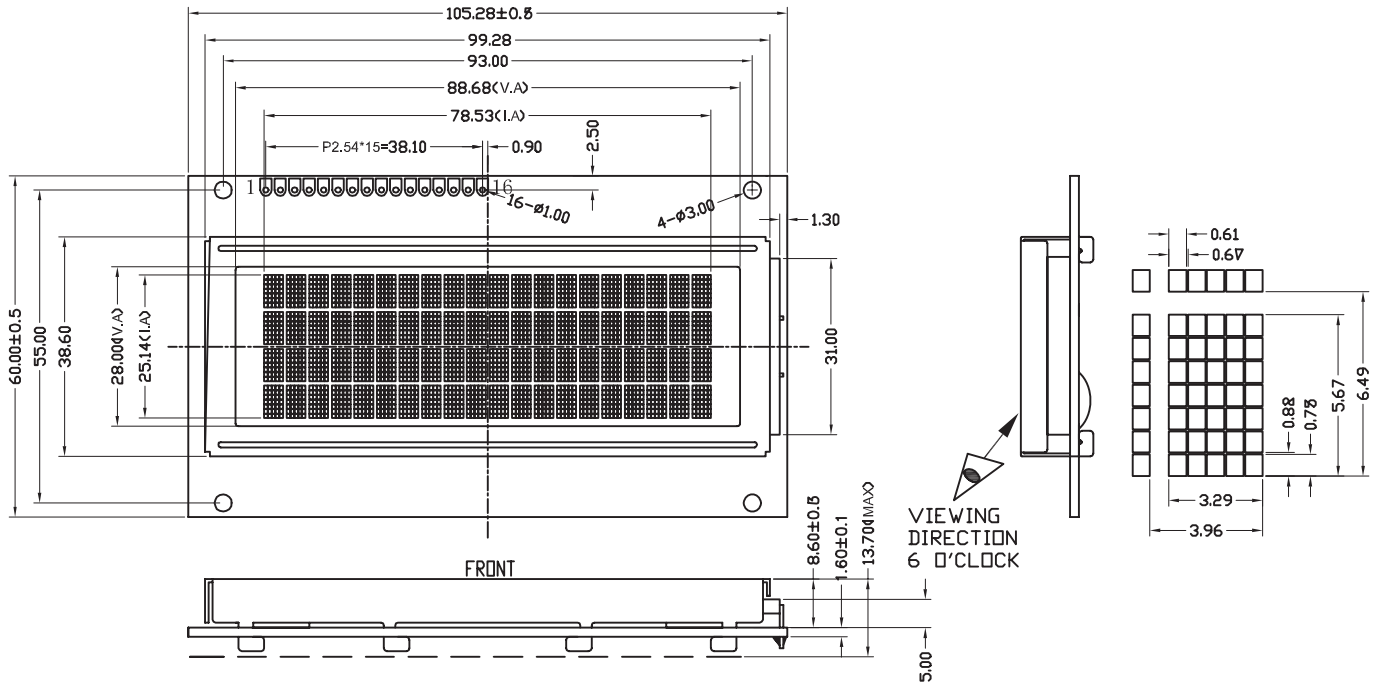
NOTE:

1. ALL DIMENSIONS ARE IN mm
2. MULTIPLEX LEVEL -- 1/16 DUTY 1/5 BIAS
3. DRIVING VOLTAGE -- VDD=5.0V VLCD=4.8V
4. OPERATING TEMPERATURE: 0°C TO 50°C
STORAGE TEMPERATURE: -20°C TO 70°C
5. STN YELLOWGREEN TRANSFLECTIVE POSITIVE MODE
6. VIEWING ANGLE: 6 O'CLOCK OR 12 O'CLOCK
7. CONNECTOR: COB



BLOCK DIAGRAM

型号: LN2002-B



| Mechanical data | | |
|----------------------|------------------|------|
| ITEM | SPECIFICATION | UNIT |
| Module Size(W*H*T) | 105.28*60.0*13.7 | mm |
| Viewing Area(W*H) | 88.68*28.0 | mm |
| Internal Area(W*H) | 78.53*25.14 | mm |
| Dot Pitch(W*H) | 0.67*0.82 | mm |
| Dot Size(W*H) | 0.61*0.75 | mm |
| Character Pitch(W*H) | 3.96*6.49 | mm |
| Character Size(W*H) | 3.29*5.67 | mm |
| Number of Character | 20*4 | Char |
| Weight | -- | g |

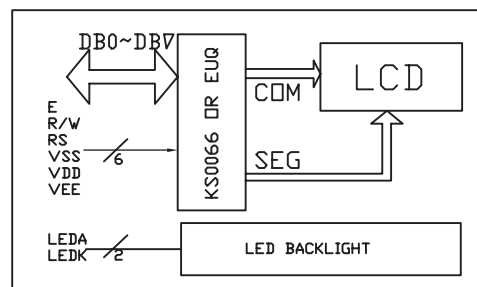
| ABSOLUTE MAXIMUM RATINGS(25°C) | | | | |
|--------------------------------|--------|----------|---------|------|
| PARAMETER | SYMBOL | MIN | MAX | UNIT |
| SUPPLY VOLTAGE LOGIC | VDD | -0.3 | +7.0 | V |
| SUPPLY VOLTAGE DRIVER | VLCD | VDD-15.0 | VDD+0.3 | V |
| INPUT VOLTAGE | VIN | -0.3 | VDD+0.3 | V |

| TYPE | |
|-----------|--|
| LCD MODE | EBT,TN,STN(YELLOW GREEN),STN(GRAY),STN(BLUE) |
| POLARIZER | REFLECTIVE,TRANSFLECTIVE,TRANSMISSIVE |
| BACKLIGHT | LED BOTTOM LIGHT(YELLOW-GREEN),EL BACKLIGHT |

| PIN CONFIGURATION | | |
|-------------------|--------|--------------------------------------|
| ITEM | SYMBOL | DESCRIPTION |
| 1 | VSS | Power GND |
| 2 | VDD | Power Positive |
| 3 | V0 | Operating Voltage for LCD (Variable) |
| 4 | RS | Register Select |
| 5 | R/W | Read/Write Select |
| 6 | E | Enable Signal |
| 7 | DB0 | Data Bus |
| 8 | DB1 | Data Bus |
| 9 | DB2 | Data Bus |
| 10 | DB3 | Data Bus |
| 11 | DB4 | Data Bus |
| 12 | DB5 | Data Bus |
| 13 | DB6 | Data Bus |
| 14 | DB7 | Data Bus |
| 15 | LEDA | LED Supply Voltage + (5V) |
| 16 | LEDK | LED Supply Voltage - (0V) |

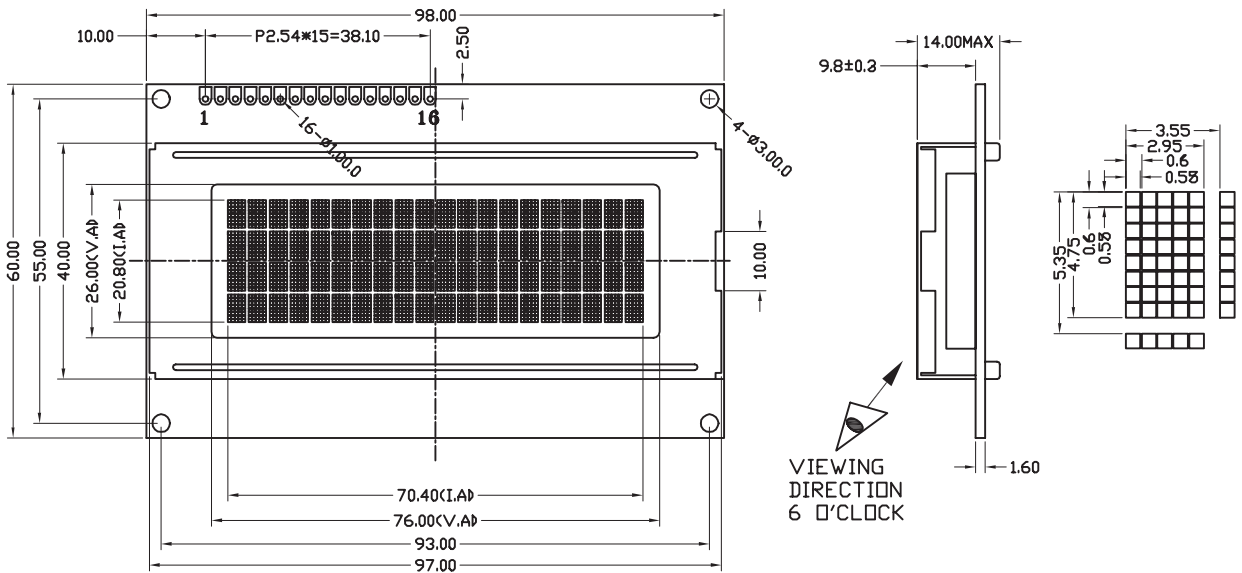
NOTE:

1. ALL DIMENSIONS ARE IN mm
2. MULTIPLEX LEVEL -- 1/16 DUTY 1/5 BIAS
3. DRIVING VOLTAGE -- VDD=5.0V VLCD=4.8V
4. OPERATING TEMPERATURE: 0°C TO 50°C
STORAGE TEMPERATURE: -20°C TO 70°C
5. STN YELLOWGREEN TRANSFLECTIVE POSITIVE MODE
6. VIEWING ANGLE: 6 O'CLOCK OR 12 O'CLOCK
7. CONNECTOR: COB



BLOCK DIAGRAM

型号: LN2004-A



| Mechanical data | | |
|----------------------|----------------|------|
| ITEM | SPECIFICATION | UNIT |
| Module Size(W*H*T) | 98.0*60.0*14.0 | mm |
| Viewing Area(W*H) | 76.0*26.0 | mm |
| Internal Area(W*H) | 70.4*20.8 | mm |
| Dot Pitch(W*H) | 0.6*0.6 | mm |
| Dot Size(W*H) | 0.55*0.55 | mm |
| Character Pitch(W*H) | 3.55*5.35 | mm |
| Character Size(W*H) | 2.95*4.75 | mm |
| Number of Character | 20*4 | Char |
| Weight | -- | g |

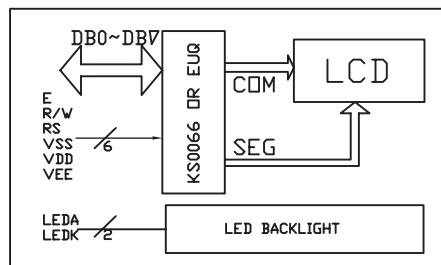
| ABSOLUTE MAXIMUM RATINGS(25°C) | | | | |
|--------------------------------|--------|----------|---------|------|
| PARAMETER | SYMBOL | MIN | MAX | UNIT |
| SUPPLY VOLTAGE LOGIC | VDD | -0.3 | +7.0 | V |
| SUPPLY VOLTAGE DRIVER | VLCD | VDD-15.0 | VDD+0.3 | V |
| INPUT VOLTAGE | VIN | -0.3 | VDD+0.3 | V |

| TYPE | |
|-----------|--|
| LCD MODE | EBT,TN,STN(YELLOW GREEN),STN(GRAY),STN(BLUE) |
| POLARIZER | REFLECTIVE,TRANSFLECTIVE,TRANSMISSIVE |
| BACKLIGHT | LED BOTTOM LIGHT(YELLOW-GREEN),EL BACKLIGHT |

| PIN CONFIGURATION | | |
|-------------------|--------|--------------------------------------|
| ITEM | SYMBOL | DESCRIPTION |
| 1 | VSS | Power GND |
| 2 | VDD | Power Positive |
| 3 | V0 | Operating Voltage for LCD (Variable) |
| 4 | RS | Register Select |
| 5 | R/W | Read/Write Select |
| 6 | E | Enable Signal |
| 7 | DB0 | Data Bus |
| 8 | DB1 | Data Bus |
| 9 | DB2 | Data Bus |
| 10 | DB3 | Data Bus |
| 11 | DB4 | Data Bus |
| 12 | DB5 | Data Bus |
| 13 | DB6 | Data Bus |
| 14 | DB7 | Data Bus |
| 15 | LEDA | LED Supply Voltage + (5V) |
| 16 | LEDK | LED Supply Voltage - (0V) |

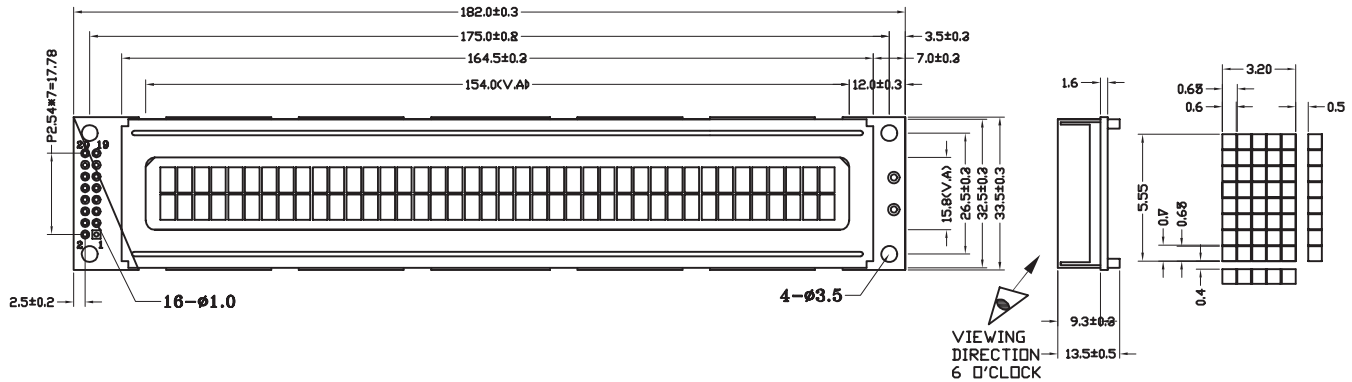
NOTE:

1. ALL DIMENSIONS ARE IN mm
2. MULTIPLEX LEVEL -- 1/16 DUTY 1/5 BIAS
3. DRIVING VOLTAGE -- VDD=5.0V VLCD=4.8V
4. OPERATING TEMPERATURE: 0°C TO 50°C
STORAGE TEMPERATURE: -20°C TO 70°C
5. STN YELLOW/GREEN TRANSFLECTIVE POSITIVE MODE
6. VIEWING ANGLE: 6 O'CLOCK OR 12 O'CLOCK
7. CONNECTOR: COB



BLOCK DIAGRAM

型号: LN2004-B



| Mechanical data | | |
|----------------------|-----------------|------|
| ITEM | SPECIFICATION | UNIT |
| Module Size(W*H*T) | 182.0*33.5*13.5 | mm |
| Viewing Area(W*H) | 154.0*15.8 | mm |
| Internal Area(W*H) | 147.5*11.5 | mm |
| Dot Pitch(W*H) | 0.65*0.7 | mm |
| Dot Size(W*H) | 0.6*0.65 | mm |
| Character Pitch(W*H) | 3.7*5.95 | mm |
| Character Size(W*H) | 3.2*5.55 | mm |
| Number of Character | 40*2 | Char |
| Weight | -- | g |

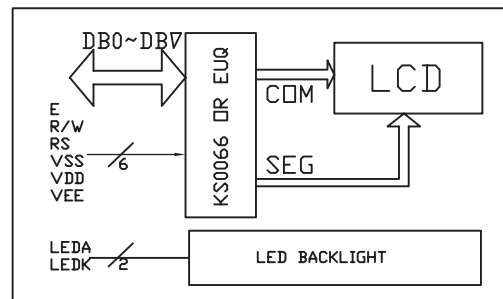
| ABSOLUTE MAXIMUM RATINGS(25°C) | | | | |
|--------------------------------|--------|----------|---------|------|
| PARAMETER | SYMBOL | MIN | MAX | UNIT |
| SUPPLY VOLTAGE LOGIC | VDD | -0.3 | +7.0 | V |
| SUPPLY VOLTAGE DRIVER | VLCD | VDD-15.0 | VDD+0.3 | V |
| INPUT VOLTAGE | VIN | -0.3 | VDD+0.3 | V |

| TYPE | |
|-----------|--|
| LCD MODE | EBT,TN,STN(YELLOW GREEN),STN(GRAY),STN(BLUE) |
| POLARIZER | REFLECTIVE,TRANSFLECTIVE,TRANSMISSIVE |
| BACKLIGHT | LED BOTTOM LIGHT(YELLOW-GREEN),EL BACKLIGHT |

| PIN CONFIGURATION | | |
|-------------------|--------|--------------------------------------|
| ITEM | SYMBOL | DESCRIPTION |
| 1 | VSS | Power GND |
| 2 | VDD | Power Positive |
| 3 | V0 | Operating Voltage for LCD (Variable) |
| 4 | RS | Register Select |
| 5 | R/W | Read/Write Select |
| 6 | E | Enable Signal |
| 7 | DB0 | Data Bus |
| 8 | DB1 | Data Bus |
| 9 | DB2 | Data Bus |
| 10 | DB3 | Data Bus |
| 11 | DB4 | Data Bus |
| 12 | DB5 | Data Bus |
| 13 | DB6 | Data Bus |
| 14 | DB7 | Data Bus |
| 15 | LEDA | LED Supply Voltage + (5V) |
| 16 | LEDK | LED Supply Voltage - (0V) |

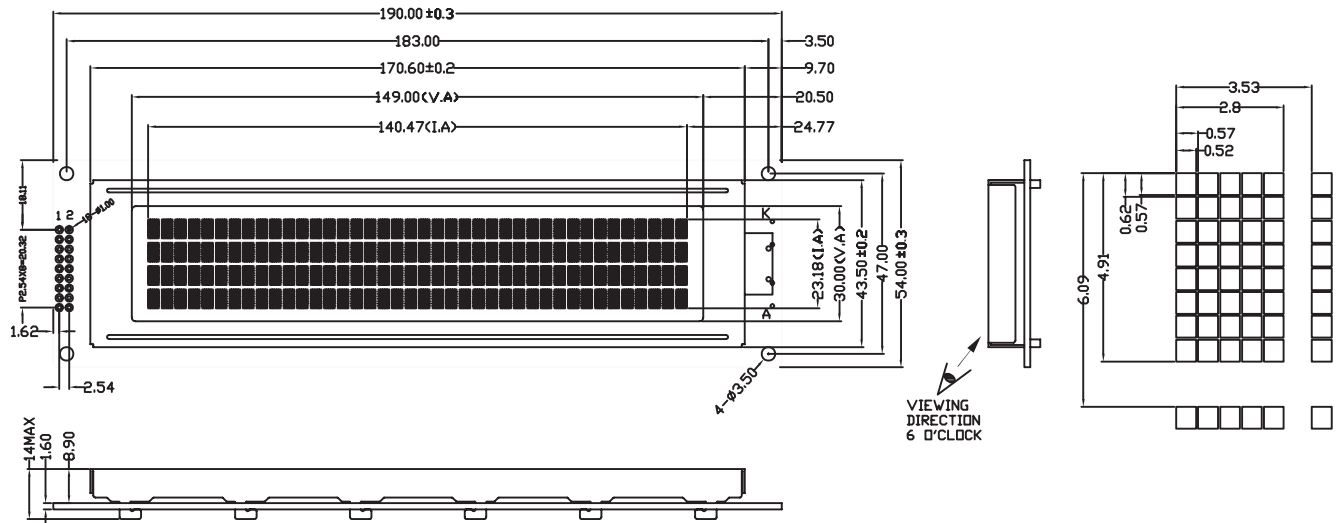
NOTE:

1. ALL DIMENSIONS ARE IN mm
2. MULTIPLEX LEVEL -- 1/16 DUTY 1/5 BIAS
3. DRIVING VOLTAGE -- VDD=5.0V VLCD=4.8V
4. OPERATING TEMPERATURE: 0°C TO 50°C
STORAGE TEMPERATURE: -20°C TO 70°C
5. STN YELLOW/GREEN TRANSFLECTIVE POSITIVE MODE
6. VIEWING ANGLE: 6 O'CLOCK OR 12 O'CLOCK
7. CONNECTOR: COB



BLOCK DIAGRAM

型号: LN4002-A



| Mechanical data | | |
|----------------------|-----------------|------|
| ITEM | SPECIFICATION | UNIT |
| Module Size(W*H*T) | 190.0*54.0*14.0 | mm |
| Viewing Area(W*H) | 149.0*30.0 | mm |
| Internal Area(W*H) | 140.7*23.18 | mm |
| Dot Pitch(W*H) | 0.57*0.62 | mm |
| Dot Size(W*H) | 0.52*0.57 | mm |
| Character Pitch(W*H) | 3.53*6.09 | mm |
| Character Size(W*H) | 2.8*4.91 | mm |
| Number of Character | 40*4 | Char |
| Weight | -- | g |

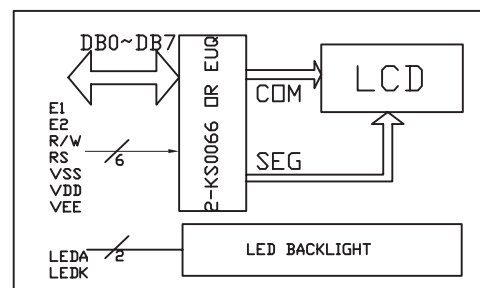
| ABSOLUTE MAXIMUM RATINGS(25°C) | | | | |
|--------------------------------|--------|----------|---------|------|
| PARAMETER | SYMBOL | MIN | MAX | UNIT |
| SUPPLY VOLTAGE LOGIC | VDD | -0.3 | +7.0 | V |
| SUPPLY VOLTAGE DRIVER | VLCD | VDD-15.0 | VDD+0.3 | V |
| INPUT VOLTAGE | VIN | -0.3 | VDD+0.3 | V |

| TYPE | |
|-----------|--|
| LCD MODE | EBT,TN,STN(YELLOW GREEN),STN(GRAY),STN(BLUE) |
| POLARIZER | REFLECTIVE,TRANSFLECTIVE,TRANSMISSIVE |
| BACKLIGHT | LED BOTTOM LIGHT(YELLOW-GREEN),EL BACKLIGHT |

| PIN CONFIGURATION | | |
|-------------------|--------|---|
| ITEM | SYMBOL | DESCRIPTION |
| 1 | DB7 | Data Bus |
| 2 | DB6 | Data Bus |
| 3 | DB5 | Data Bus |
| 4 | DB4 | Data Bus |
| 5 | DB3 | Data Bus |
| 6 | DB2 | Data Bus |
| 7 | DB1 | Data Bus |
| 8 | DB0 | Data Bus |
| 9 | E1 | Enable Signal for IC1 |
| 10 | R/W | Read/Write Select |
| 11 | RS | Register Select |
| 12 | VEE | Power supply for LCD Drive(contrast adjustment) |
| 13 | VSS | Power GND |
| 14 | VDD | Power Positive |
| 15 | E2 | Enable Signal for IC2 |
| 16 | VSS | Power GND |
| 17 | LEDA | LED Supply Voltage + (5V) |
| 18 | LEDK | LED Supply Voltage - (0V) |

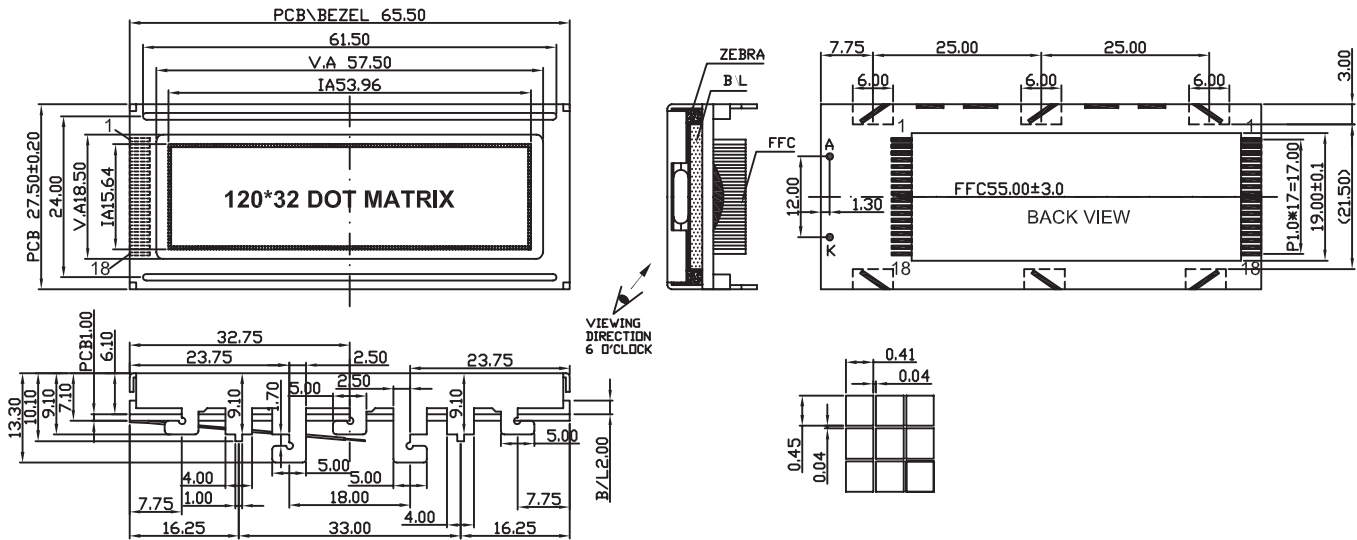
NOTE:

1. ALL DIMENSIONS ARE IN mm
2. MULTIPLEX LEVEL -- 1/16 DUTY 1/5 BIAS
3. DRIVING VOLTAGE -- VDD=5.0V VLCD=4.8V
4. OPERATING TEMPERATURE: 0°C TO 50°C
STORAGE TEMPERATURE: -20°C TO 70°C
5. STN YELLOWGREEN TRANSFLECTIVE POSITIVE MODE
6. VIEWING ANGLE: 6 O'CLOCK OR 12 O'CLOCK
7. CONNECTOR: COB



BLOCK DIAGRAM

型号: LN4004-A



| Mechanical data | | |
|----------------------|----------------|------|
| ITEM | SPECIFICATION | UNIT |
| Module Size(W*H*T) | 65.5*27.5*13.3 | mm |
| Viewing Area(W*H) | 57.5*18.5 | mm |
| Internal Area(W*H) | 53.96*15.64 | mm |
| Dot Pitch(W*H) | 0.45*0.49 | mm |
| Dot Size(W*H) | 0.41*0.45 | mm |
| Number of Dots (W*H) | 120*32 | Char |
| Weight | -- | g |

| ABSOLUTE MAXIMUM RATINGS(25°C) | | | | |
|--------------------------------|--------|----------|---------|------|
| PARAMETER | SYMBOL | MIN | MAX | UNIT |
| SUPPLY VOLTAGE LOGIC | VDD | -0.3 | +7.0 | V |
| SUPPLY VOLTAGE DRIVER | VLCD | VDD-13.5 | VDD+0.3 | V |
| INPUT VOLTAGE | VIN | -0.3 | VDD+0.3 | V |

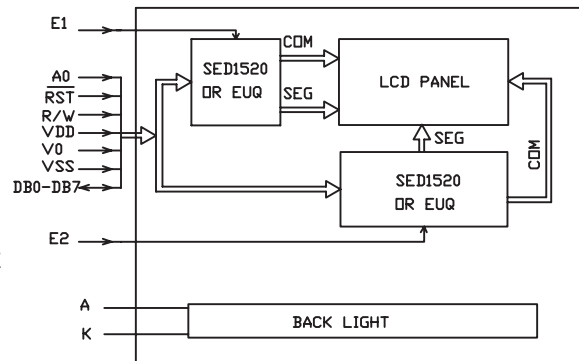
| TYPE | |
|-----------|---|
| LCD MODE | FS(COLOR)TN,STN(YELLOW GREEN),STN(GRAY),STN(BLUE) |
| POLARIZER | REFLECTIVE,TRANSFLECTIVE,TRANSMISSIVE |
| BACKLIGHT | LED BOTTOM LIGHT(YELLOW-GREEN),EL BACKLIGHT |

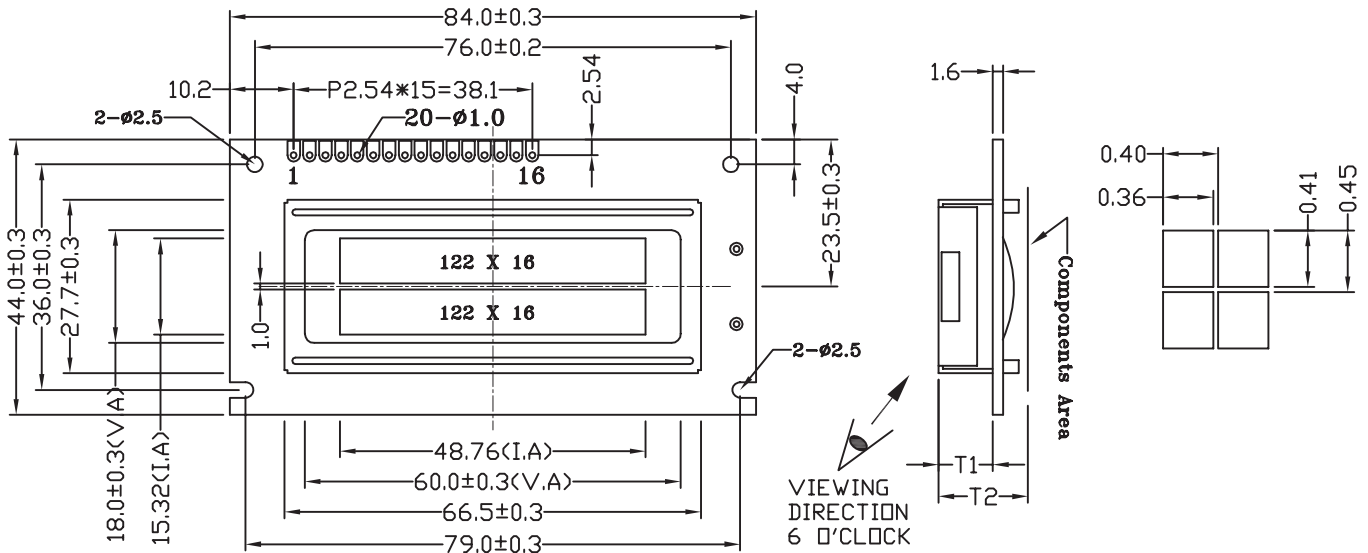
| PIN CONFIGURATION | | |
|-------------------|--------|--------------------------------------|
| ITEM | SYMBOL | DESCRIPTION |
| 1 | VSS | Power GND |
| 2 | VDD | Power Positive |
| 3 | DB0 | Data Bus |
| 4 | DB1 | Data Bus |
| 5 | DB2 | Data Bus |
| 6 | DB3 | Data Bus |
| 7 | DB4 | Data Bus |
| 8 | DB5 | Data Bus |
| 9 | DB6 | Data Bus |
| 10 | DB7 | Data Bus |
| 11 | V0 | Operating Voltage for LCD (Variable) |
| 12 | RS | Register Select |
| 13 | E1 | Enable Signal for IC1 |
| 14 | E2 | Enable Signal for IC2 |
| 15 | R/W | Read/Write Select |
| 16 | /RST | Reset Signal |
| 17 | LEDA | LED Supply Voltage + (5V) |
| 18 | LEDK | ED Supply Voltage - (0V) |

NOTE:

1. ALL DIMENSIONS ARE IN mm
2. MULTIPLEX LEVEL -- 1/32 DUTY 1/6 BIAS
3. DRIVING VOLTAGE -- VDD=5.0V VLCD=4.8V
4. OPERATING TEMPERATURE: 0°C TO 50°C
STORAGE TEMPERATURE: -20°C TO 70°C
5. STN YELLOW \ GREEN TRANSFLECTIVE POSITIVE MODE
6. VIEWING ANGLE: 6 O'CLOCK OR 12 O'CLOCK
7. CONNECTOR: COB

型号: LN12032-A





| THICKNESS: | | |
|-------------|---------|---------|
| | T1 | T2 |
| WITHOUT B/L | 5.1±0.3 | 9.3MAX |
| LED B/L | 8.7±0.3 | 13.0MAX |

| Mechanical data | | |
|----------------------|---------------|------|
| ITEM | SPECIFICATION | UNIT |
| Module Size(W*H*T) | 84.0*44.0*13 | mm |
| Viewing Area(W*H) | 60.0*18 | mm |
| Internal Area(W*H) | 48.76*15.32 | mm |
| Dot Pitch(W*H) | 0.40*0.45 | mm |
| Dot Size(W*H) | 0.36*0.41 | mm |
| Number of Dots (W*H) | 122*32 | Char |
| Weight | -- | g |

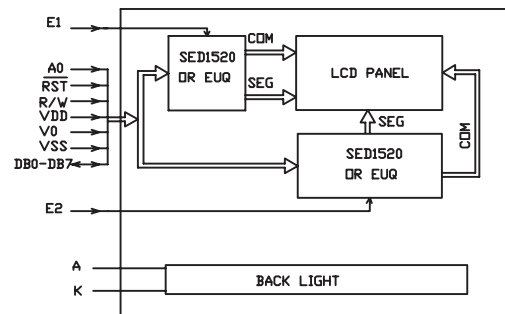
| PIN CONFIGURATION | | |
|-------------------|--------|--------------------------------------|
| ITEM | SYMBOL | DESCRIPTION |
| 1 | VDD | Power Positive |
| 2 | VSS | Power GND |
| 3 | V0 | Operating Voltage for LCD (Variable) |
| 4 | /RST | Reset Signal |
| 5 | E1 | Enable Signal for IC1 |
| 6 | E2 | Enable Signal for IC2 |
| 7 | R/W | Read/Write Select |
| 8 | RS | Register Select |
| 9 | DB0 | Data Bus |
| 10 | DB1 | Data Bus |
| 11 | DB2 | Data Bus |
| 12 | DB3 | Data Bus |
| 13 | DB4 | Data Bus |
| 14 | DB5 | Data Bus |
| 15 | DB6 | Data Bus |
| 16 | DB7 | Data Bus |
| 17 | LEDA | LED Supply Voltage + (5V) |
| 18 | LEDK | ED Supply Voltage - (0V) |

| ABSOLUTE MAXIMUM RATINGS(25°C) | | | | |
|--------------------------------|--------|----------|---------|------|
| PARAMETER | SYMBOL | MIN | MAX | UNIT |
| SUPPLY VOLTAGE LOGIC | VDD | -0.3 | +7.0 | V |
| SUPPLY VOLTAGE DRIVER | VLCD | VDD-15.0 | VDD+0.3 | V |
| INPUT VOLTAGE | VIN | -0.3 | VDD+0.3 | V |

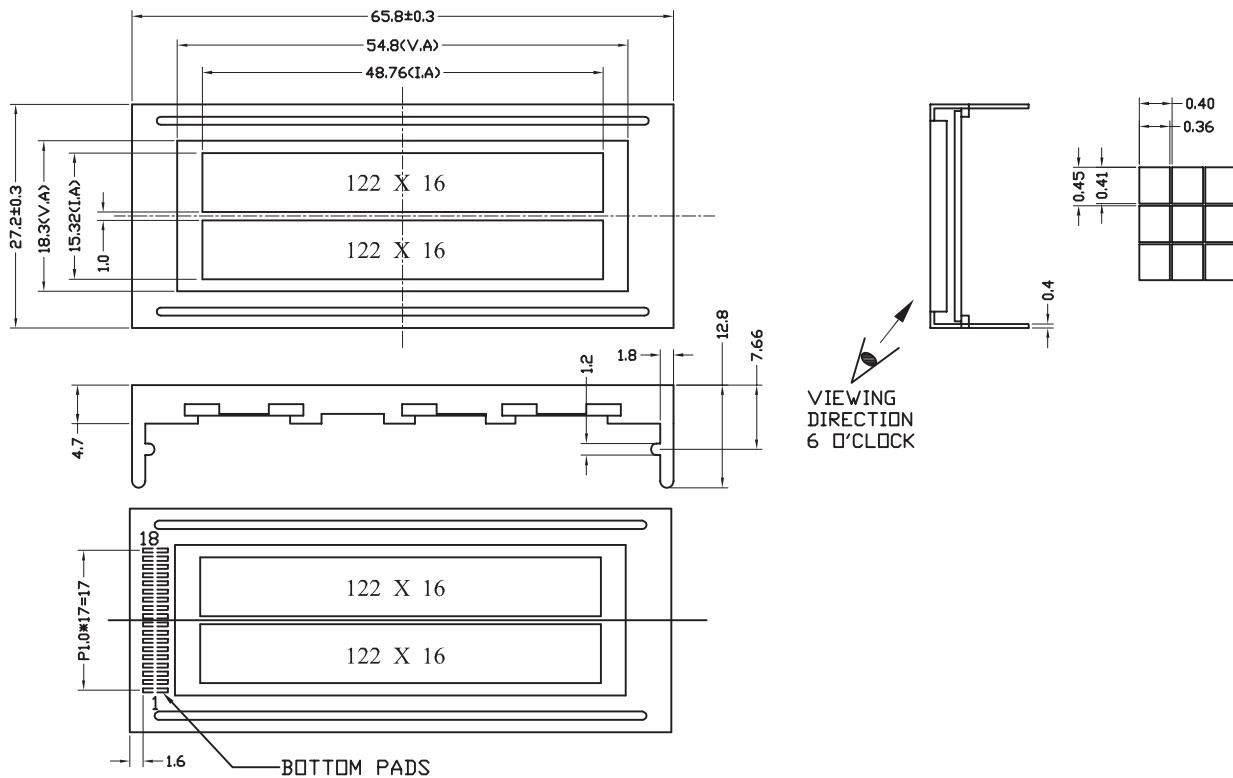
| TYPE | |
|-----------|--|
| LCD MODE | EBT,TN,STN(YELLOW GREEN),STN(GRAY),STN(BLUE) |
| POLARIZER | REFLECTIVE,TRANSFLECTIVE,TRANSMISSIVE |
| BACKLIGHT | LED BOTTOM LIGHT(YELLOW-GREEN),EL BACKLIGHT |

NOTE:

1. ALL DIMENSIONS ARE IN mm
2. MULTIPLEX LEVEL -- 1/32 DUTY 1/6 BIAS
3. DRIVING VOLTAGE -- VDD=5.0V VLCD=4.8V
4. OPERATING TEMPERATURE: 0°C TO 50°C
STORAGE TEMPERATURE: -20°C TO 70°C
5. STN YELLOW \ GREEN TRANSFLECTIVE POSITIVE MODE
6. VIEWING ANGLE: 6 O'CLOCK OR 12 O'CLOCK
7. CONNECTOR: COB



型号: LN12232-A



| Mechanical data | | |
|----------------------|---------------|------|
| ITEM | SPECIFICATION | UNIT |
| Module Size(W*H*T) | 65.8*27.2*4.7 | mm |
| Viewing Area(W*H) | 54.8*18.3 | mm |
| Internal Area(W*H) | 48.76*15.32 | mm |
| Dot Pitch(W*H) | 0.4*0.45 | mm |
| Dot Size(W*H) | 0.36*0.41 | mm |
| Number of Dots (W*H) | 122*32 | Char |
| Weight | -- | g |

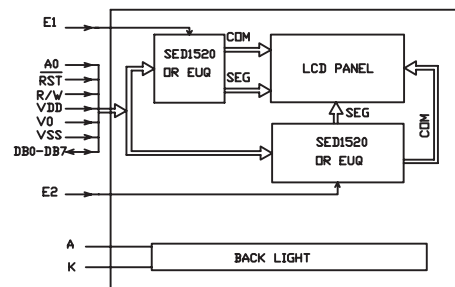
| ABSOLUTE MAXIMUM RATINGS(25°C) | | | | |
|--------------------------------|--------|----------|---------|------|
| PARAMETER | SYMBOL | MIN | MAX | UNIT |
| SUPPLY VOLTAGE LOGIC | VDD | -0.3 | +7.0 | V |
| SUPPLY VOLTAGE DRIVER | VLCD | VDD-13.5 | VDD+0.3 | V |
| INPUT VOLTAGE | VIN | -0.3 | VDD+0.3 | V |

| TYPE | |
|-----------|---|
| LCD MODE | FS(COLOR)TN,STN(YELLOW GREEN),STN(GRAY),STN(BLUE) |
| POLARIZER | REFLECTIVE,TRANSFLECTIVE,TRANSMISSIVE |
| BACKLIGHT | LED BOTTOM LIGHT(YELLOW-GREEN),EL BACKLIGHT |

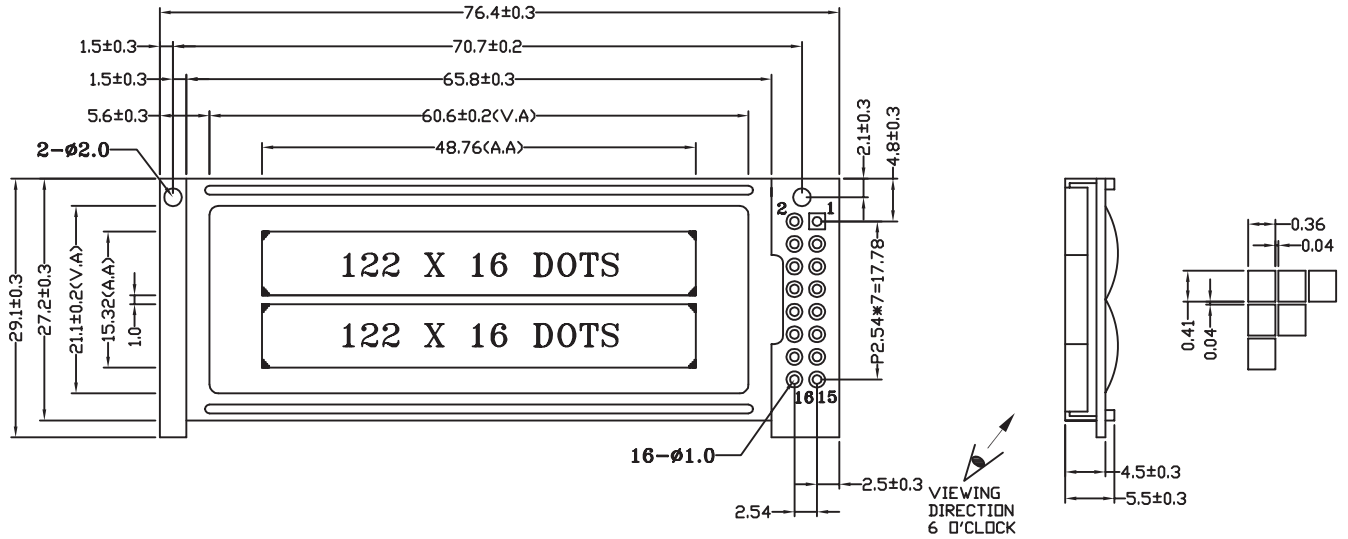
| PIN CONFIGURATION | | |
|-------------------|--------|--------------------------------------|
| ITEM | SYMBOL | DESCRIPTION |
| 1 | VDD | Power Positive |
| 2 | VSS | Power GND |
| 3 | V0 | Operating Voltage for LCD (Variable) |
| 4 | /RST | Reset Signal |
| 5 | E1 | Enable Signal for IC1 |
| 6 | E2 | Enable Signal for IC2 |
| 7 | R/W | Read/Write Select |
| 8 | RS | Register Select |
| 9 | DB0 | Data Bus |
| 10 | DB1 | Data Bus |
| 11 | DB2 | Data Bus |
| 12 | DB3 | Data Bus |
| 13 | DB4 | Data Bus |
| 14 | DB5 | Data Bus |
| 15 | DB6 | Data Bus |
| 16 | DB7 | Data Bus |
| 17 | LEDA | LED Supply Voltage + (5V) |
| 18 | LEDK | ED Supply Voltage - (0V) |

NOTE:

1. ALL DIMENSIONS ARE IN mm
2. MULTIPLEX LEVEL -- 1/32 DUTY 1/6 BIAS
3. DRIVING VOLTAGE -- VDD=5.0V VLCD=4.8V
4. OPERATING TEMPERATURE: 0°C TO 50°C
STORAGE TEMPERATURE: -20°C TO 70°C
5. STN YELLOW \ GREEN TRANSFLECTIVE POSITIVE MODE
6. VIEWING ANGLE: 6 O'CLOCK OR 12 O'CLOCK
7. CONNECTOR: COB



型号: LN12232-B



| Mechanical data | | |
|----------------------|---------------|------|
| ITEM | SPECIFICATION | UNIT |
| Module Size(W*H*T) | 76.4*29.1*5.5 | mm |
| Viewing Area(W*H) | 60.6*21.1 | mm |
| Internal Area(W*H) | 48.76*15.32 | mm |
| Dot Pitch(W*H) | 0.40*0.45 | mm |
| Dot Size(W*H) | 0.36*0.41 | mm |
| Number of Dots (W*H) | 122*32 | Char |
| Weight | -- | g |

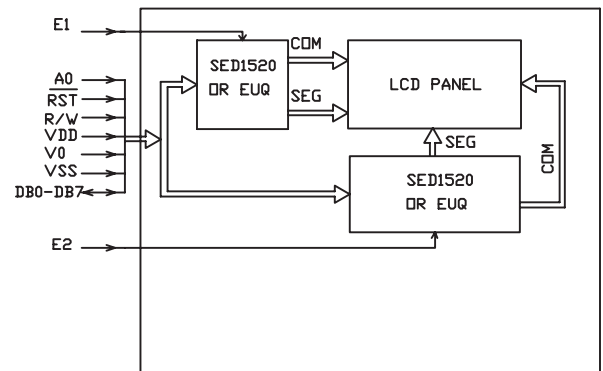
| ABSOLUTE MAXIMUM RATINGS(25°C) | | | | |
|--------------------------------|--------|----------|---------|------|
| PARAMETER | SYMBOL | MIN | MAX | UNIT |
| SUPPLY VOLTAGE LOGIC | VDD | -0.3 | +7.0 | V |
| SUPPLY VOLTAGE DRIVER | VLCD | VDD-13.5 | VDD+0.3 | V |
| INPUT VOLTAGE | VIN | -0.3 | VDD+0.3 | V |

| TYPE | |
|-----------|---|
| LCD MODE | FS(COLOR)TN,STN(YELLOW GREEN),STN(GRAY),STN(BLUE) |
| POLARIZER | REFLECTIVE, TRANSFLECTIVE, TRANSMISSIVE |
| BACKLIGHT | LED BOTTOM LIGHT(YELLOW-GREEN),EL BACKLIGHT |

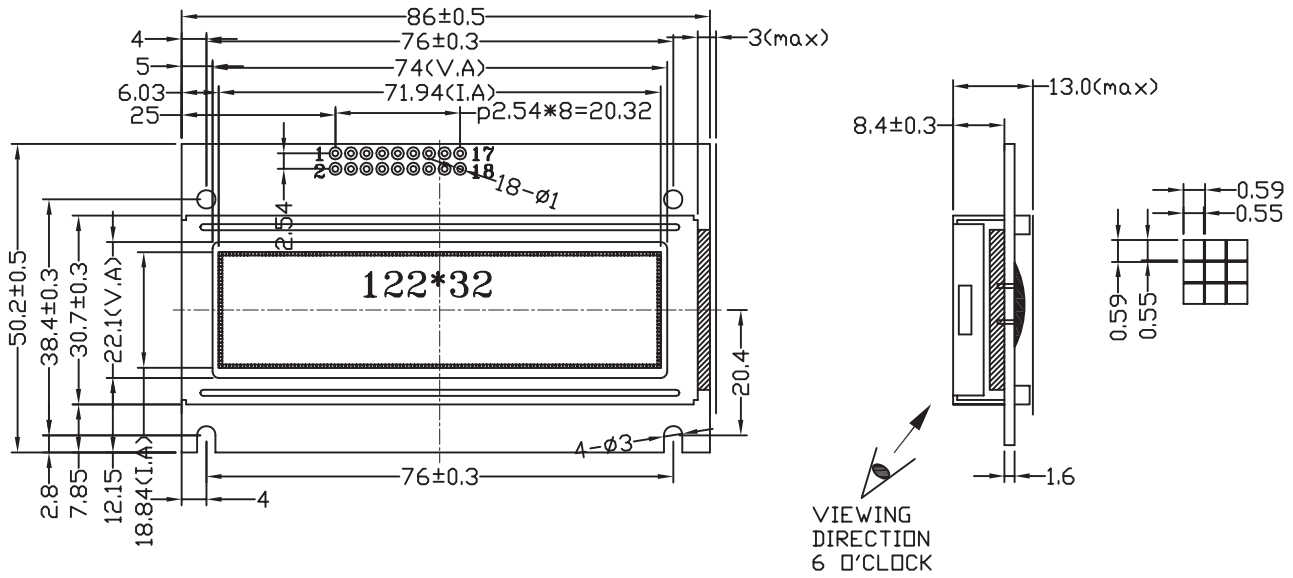
| PIN CONFIGURATION | | |
|-------------------|--------|--------------------------------------|
| ITEM | SYMBOL | DESCRIPTION |
| 1 | VDD | Power Positive |
| 2 | VSS | Power GND |
| 3 | V0 | Operating Voltage for LCD (Variable) |
| 4 | /RST | Reset Signal |
| 5 | E1 | Enable Signal for IC1 |
| 6 | E2 | Enable Signal for IC2 |
| 7 | R/W | Read/Write Select |
| 8 | RS | Register Select |
| 9 | DB0 | Data Bus |
| 10 | DB1 | Data Bus |
| 11 | DB2 | Data Bus |
| 12 | DB3 | Data Bus |
| 13 | DB4 | Data Bus |
| 14 | DB5 | Data Bus |
| 15 | DB6 | Data Bus |
| 16 | DB7 | Data Bus |

NOTE:

1. ALL DIMENSIONS ARE IN mm
2. MULTIPLEX LEVEL -- 1/32 DUTY 1/6 BIAS
3. DRIVING VOLTAGE -- VDD=5.0V VLCD=4.8V
4. OPERATING TEMPERATURE: 0°C TO 50°C
STORAGE TEMPERATURE: -20°C TO 70°C
5. STN YELLOW \ GREEN TRANSFLECTIVE POSITIVE MODE
6. VIEWING ANGLE: 6 O'CLOCK OR 12 O'CLOCK
7. CONNECTOR: COB



型号: LN12232-C



| Mechanical data | | |
|----------------------|----------------|------|
| Module Size(W*H*T) | 86.0*50.2*13.0 | mm |
| Viewing Area(W*H) | 74.0*22.1 | mm |
| Internal Area(W*H) | 71.94*18.84 | mm |
| Dot Pitch(W*H) | 0.55*0.55 | mm |
| Dot Size(W*H) | 0.59*0.59 | mm |
| Number of Dots (W*H) | 122*32 | Char |
| Weight | -- | g |

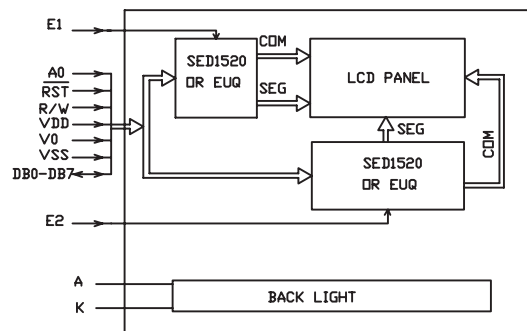
| ABSOLUTE MAXIMUM RATINGS(25°C) | | | | |
|--------------------------------|--------|----------|---------|------|
| PARAMETER | SYMBOL | MIN | MAX | UNIT |
| SUPPLY VOLTAGE LOGIC | VDD | -0.3 | +7.0 | V |
| SUPPLY VOLTAGE DRIVER | VLCD | VDD-13.5 | VDD+0.3 | V |
| INPUT VOLTAGE | VIN | -0.3 | VDD+0.3 | V |

| TYPE | |
|-----------|---|
| LCD MODE | FS(COLOR)TN,STN(YELLOW GREEN),STN(GRAY),STN(BLUE) |
| POLARIZER | REFLECTIVE,TRANSFLECTIVE,TRANSMISSIVE |
| BACKLIGHT | LED BOTTOM LIGHT(YELLOW-GREEN),EL BACKLIGHT |

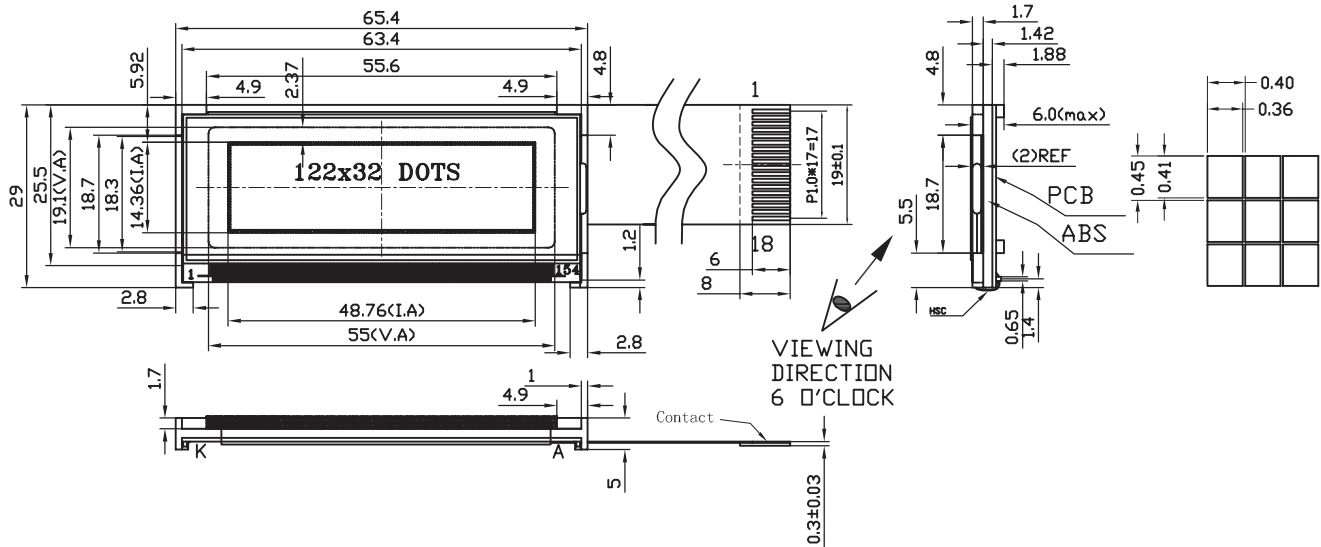
| PIN CONFIGURATION | | |
|-------------------|--------|--------------------------------------|
| ITEM | SYMBOL | DESCRIPTION |
| 1 | VDD | Power Positive |
| 2 | VSS | Power GND |
| 3 | V0 | Operating Voltage for LCD (Variable) |
| 4 | /RST | Reset Signal |
| 5 | E1 | Enable Signal for IC1 |
| 6 | E2 | Enable Signal for IC2 |
| 7 | R/W | Read/Write Select |
| 8 | RS | Register Select |
| 9 | DB0 | Data Bus |
| 10 | DB1 | Data Bus |
| 11 | DB2 | Data Bus |
| 12 | DB3 | Data Bus |
| 13 | DB4 | Data Bus |
| 14 | DB5 | Data Bus |
| 15 | DB6 | Data Bus |
| 16 | DB7 | Data Bus |
| 17 | LEDA | LED Supply Voltage + (5V) |
| 18 | LEDK | LED Supply Voltage - (0V) |

NOTE:

1. ALL DIMENSIONS ARE IN mm
2. MULTIPLEX LEVEL -- 1/32 DUTY 1/6 BIAS
3. DRIVING VOLTAGE -- VDD=5.0V VLCD=4.8V
4. OPERATING TEMPERATURE: 0°C TO 50°C
STORAGE TEMPERATURE: -20°C TO 70°C
5. STN YELLOW \ GREEN TRANSFLECTIVE POSITIVE MODE
6. VIEWING ANGLE: 6 O'CLOCK OR 12 O'CLOCK
7. CONNECTOR: COB



型号: LN12232-D



| Mechanical data | | |
|----------------------|---------------|------|
| ITEM | SPECIFICATION | UNIT |
| Module Size(W*H*T) | 65.4*29.0*6.0 | mm |
| Viewing Area(W*H) | 50.0*19.1 | mm |
| Internal Area(W*H) | 48.76*14.36 | mm |
| Dot Pitch(W*H) | 0.40*0.45 | mm |
| Dot Size(W*H) | 0.36*0.41 | mm |
| Number of Dots (W*H) | 122*32 | Char |
| Weight | -- | g |

| ABSOLUTE MAXIMUM RATINGS(25°C) | | | | |
|--------------------------------|--------|----------|---------|------|
| PARAMETER | SYMBOL | MIN | MAX | UNIT |
| SUPPLY VOLTAGE LOGIC | VDD | -0.3 | +7.0 | V |
| SUPPLY VOLTAGE DRIVER | VLCD | VDD-13.5 | VDD+0.3 | V |
| INPUT VOLTAGE | VIN | -0.3 | VDD+0.3 | V |

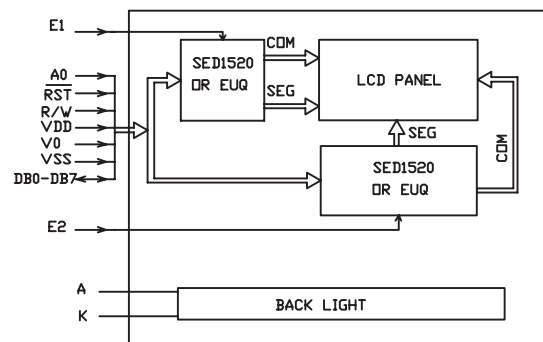
| TYPE | |
|-----------|---|
| LCD MODE | FS(COLOR)TN,STN(YELLOW GREEN),STN(GRAY),STN(BLUE) |
| POLARIZER | REFLECTIVE,TRANSFLECTIVE,TRANSMISSIVE |
| BACKLIGHT | LED BOTTOM LIGHT(YELLOW-GREEN),EL BACKLIGHT |

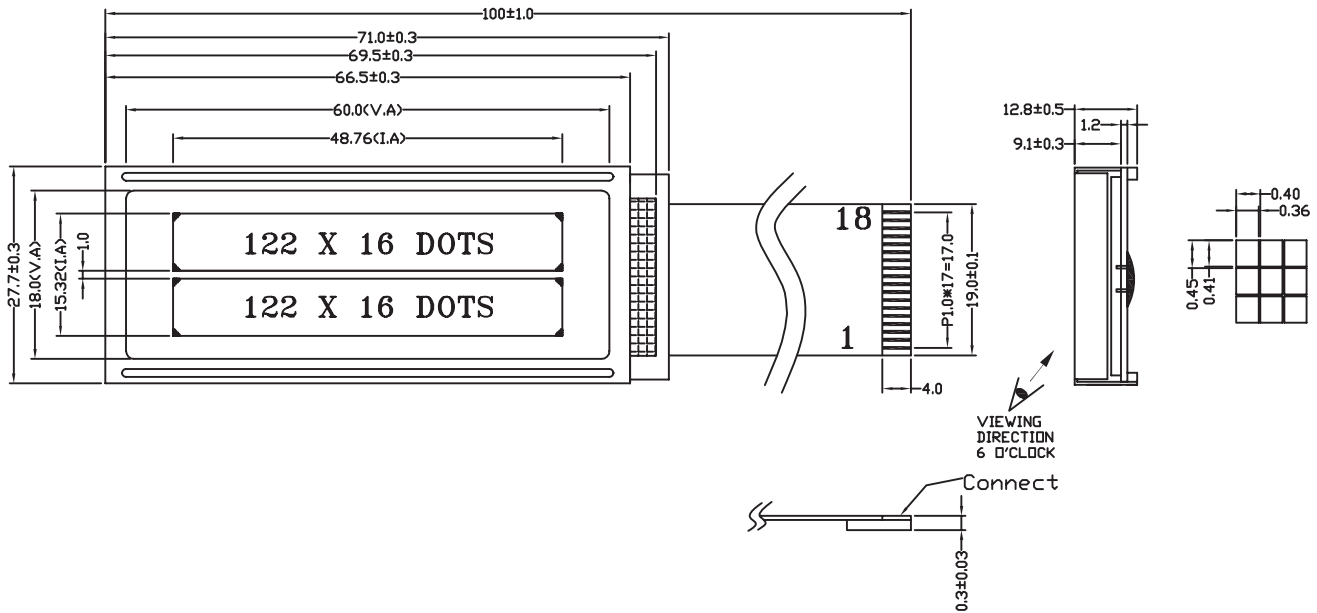
| PIN CONFIGURATION | | |
|-------------------|--------|--------------------------------------|
| ITEM | SYMBOL | DESCRIPTION |
| 1 | VDD | Power Positive |
| 2 | VSS | Power GND |
| 3 | V0 | Operating Voltage for LCD (Variable) |
| 4 | /RST | Reset Signal |
| 5 | E1 | Enable Signal for IC1 |
| 6 | E2 | Enable Signal for IC2 |
| 7 | R/W | Read/Write Select |
| 8 | RS | Register Select |
| 9 | DB0 | Data Bus |
| 10 | DB1 | Data Bus |
| 11 | DB2 | Data Bus |
| 12 | DB3 | Data Bus |
| 13 | DB4 | Data Bus |
| 14 | DB5 | Data Bus |
| 15 | DB6 | Data Bus |
| 16 | DB7 | Data Bus |
| 17 | LEDA | LED Supply Voltage + (5V) |
| 18 | LEDK | LED Supply Voltage - (0V) |

NOTE:

1. ALL DIMENSIONS ARE IN mm
2. MULTIPLEX LEVEL -- 1/32 DUTY 1/6 BIAS
3. DRIVING VOLTAGE -- VDD=5.0V VLCD=4.8V
4. OPERATING TEMPERATURE: 0°C TO 50°C
STORAGE TEMPERATURE: -20°C TO 70°C
5. STN YELLOW \ GREEN TRANSFLECTIVE POSITIVE MODE
6. VIEWING ANGLE: 6 O'CLOCK OR 12 O'CLOCK
7. CONNECTOR: COB+HSC

型号: LN12232-E





| Mechanical data | | |
|----------------------|----------------|------|
| ITEM | SPECIFICATION | UNIT |
| Module Size(W*H*T) | 71.0*27.7*12.8 | mm |
| Viewing Area(W*H) | 60.0*18.0 | mm |
| Internal Area(W*H) | 18.76*15.32 | mm |
| Dot Pitch(W*H) | 0.40*0.45 | mm |
| Dot Size(W*H) | 0.36*0.41 | mm |
| Number of Dots (W*H) | 122*32 | Char |
| Weight | -- | g |

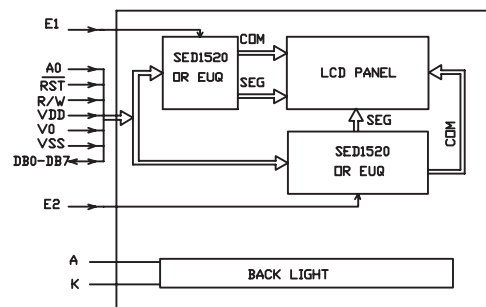
| ABSOLUTE MAXIMUM RATINGS(25°C) | | | | |
|--------------------------------|--------|----------|---------|------|
| PARAMETER | SYMBOL | MIN | MAX | UNIT |
| SUPPLY VOLTAGE LOGIC | VDD | -0.3 | +7.0 | V |
| SUPPLY VOLTAGE DRIVER | VLCD | VDD-13.5 | VDD+0.3 | V |
| INPUT VOLTAGE | VIN | -0.3 | VDD+0.3 | V |

| TYPE | |
|-----------|---|
| LCD MODE | FS(COLOR)TN,STN(YELLOW GREEN),STN(GRAY),STN(BLUE) |
| POLARIZER | REFLECTIVE,TRANSFLECTIVE,TRANSMISSIVE |
| BACKLIGHT | LED BOTTOM LIGHT(YELLOW-GREEN),EL BACKLIGHT |

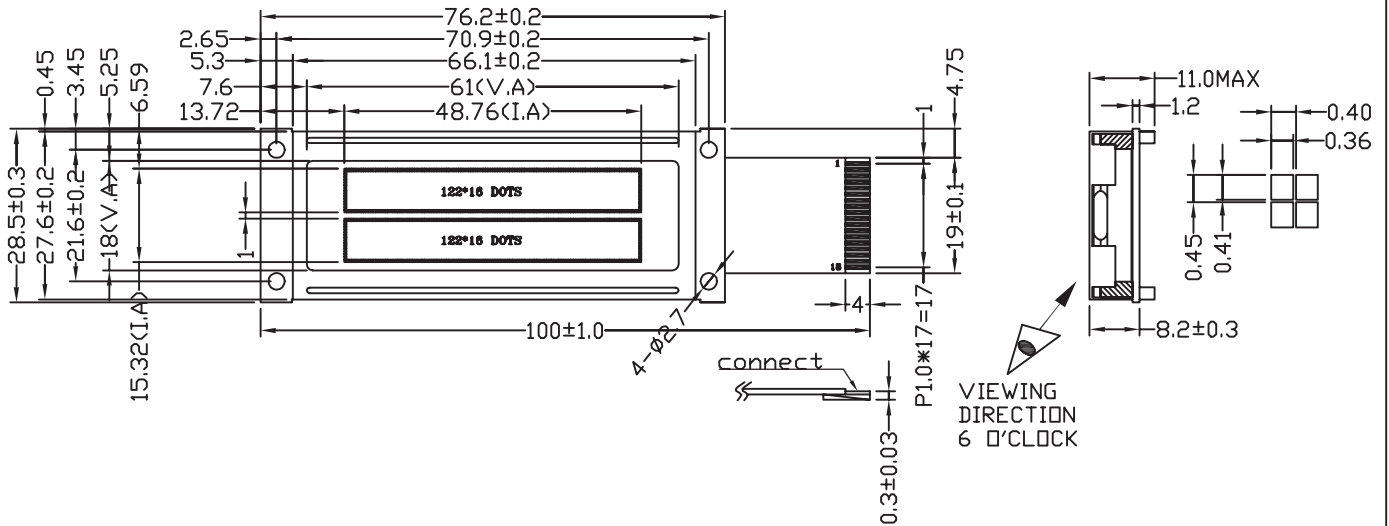
| PIN CONFIGURATION | | |
|-------------------|--------|--------------------------------------|
| ITEM | SYMBOL | DESCRIPTION |
| 1 | VDD | Power Positive |
| 2 | VSS | Power GND |
| 3 | V0 | Operating Voltage for LCD (Variable) |
| 4 | /RST | Reset Signal |
| 5 | E1 | Enable Signal for IC1 |
| 6 | E2 | Enable Signal for IC2 |
| 7 | R/W | Read/Write Select |
| 8 | RS | Register Select |
| 9 | DB0 | Data Bus |
| 10 | DB1 | Data Bus |
| 11 | DB2 | Data Bus |
| 12 | DB3 | Data Bus |
| 13 | DB4 | Data Bus |
| 14 | DB5 | Data Bus |
| 15 | DB6 | Data Bus |
| 16 | DB7 | Data Bus |
| 17 | LEDA | LED Supply Voltage + (5V) |
| 18 | LEDK | LED Supply Voltage - (0V) |

NOTE:

1. ALL DIMENSIONS ARE IN mm
2. MULTIPLEX LEVEL -- 1/32 DUTY 1/6 BIAS
3. DRIVING VOLTAGE -- VDD=5.0V VLCD=4.8V
4. OPERATING TEMPERATURE: 0°C TO 50°C
STORAGE TEMPERATURE: -20°C TO 70°C
5. STN YELLOW \ GREEN TRANSFLECTIVE POSITIVE MODE
6. VIEWING ANGLE: 6 O'CLOCK OR 12 O'CLOCK
7. CONNECTOR: COB



型号: LN12232-F



| Mechanical data | | |
|----------------------|----------------|------|
| ITEM | SPECIFICATION | UNIT |
| Module Size(W*H*T) | 76.2*28.5*11.0 | mm |
| Viewing Area(W*H) | 61.0*18.0 | mm |
| Internal Area(W*H) | 48.76*15.32 | mm |
| Dot Pitch(W*H) | 0.40*0.45 | mm |
| Dot Size(W*H) | 0.36*0.41 | mm |
| Number of Dots (W*H) | 122*32 | Char |
| Weight | -- | g |

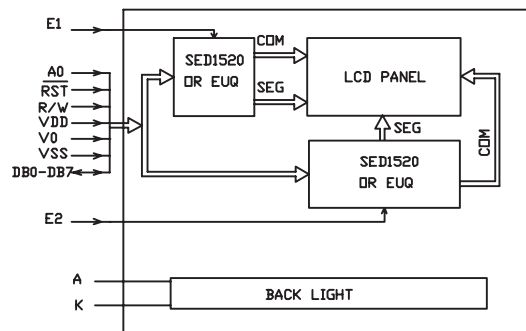
| ABSOLUTE MAXIMUM RATINGS(25°C) | | | | |
|--------------------------------|--------|----------|---------|------|
| PARAMETER | SYMBOL | MIN | MAX | UNIT |
| SUPPLY VOLTAGE LOGIC | VDD | -0.3 | +7.0 | V |
| SUPPLY VOLTAGE DRIVER | VLCD | VDD-13.5 | VDD+0.3 | V |
| INPUT VOLTAGE | VIN | -0.3 | VDD+0.3 | V |

| TYPE | |
|-----------|---|
| LCD MODE | FS(COLOR)TN,STN(YELLOW GREEN),STN(GRAY),STN(BLUE) |
| POLARIZER | REFLECTIVE,TRANSFLECTIVE,TRANSMISSIVE |
| BACKLIGHT | LED BOTTOM LIGHT(YELLOW-GREEN),EL BACKLIGHT |

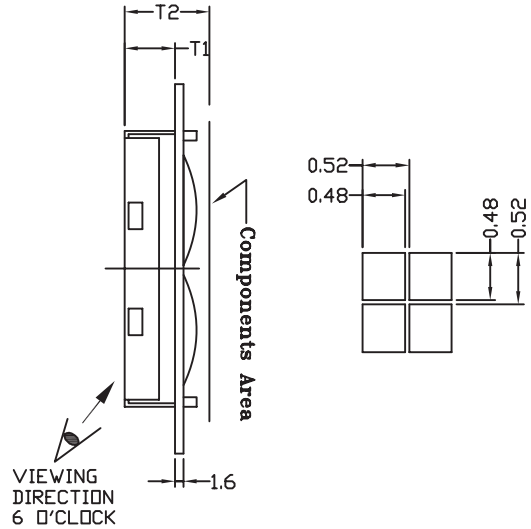
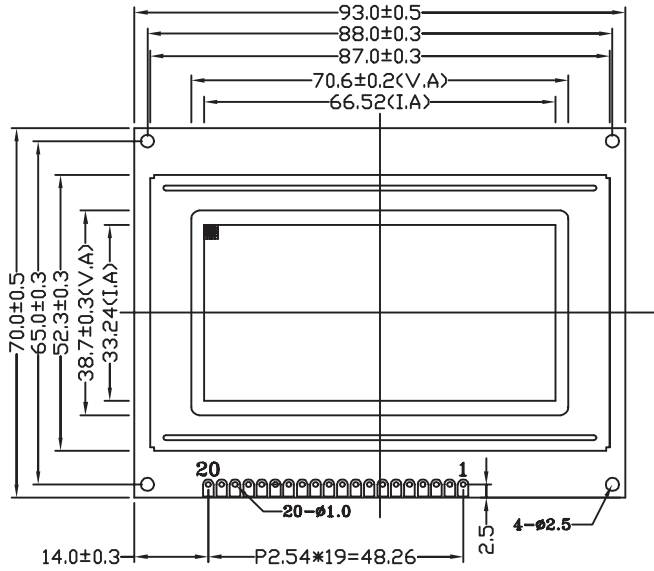
| PIN CONFIGURATION | | |
|-------------------|--------|--------------------------------------|
| ITEM | SYMBOL | DESCRIPTION |
| 1 | VDD | Power Positive |
| 2 | VSS | Power GND |
| 3 | V0 | Operating Voltage for LCD (Variable) |
| 4 | /RST | Reset Signal |
| 5 | E1 | Enable Signal for IC1 |
| 6 | E2 | Enable Signal for IC2 |
| 7 | R/W | Read/Write Select |
| 8 | RS | Register Select |
| 9 | DB0 | Data Bus |
| 10 | DB1 | Data Bus |
| 11 | DB2 | Data Bus |
| 12 | DB3 | Data Bus |
| 13 | DB4 | Data Bus |
| 14 | DB5 | Data Bus |
| 15 | DB6 | Data Bus |
| 16 | DB7 | Data Bus |
| 17 | LEDK | LED Supply Voltage + (5V) |
| 18 | LEDA | LED Supply Voltage - (4.1V) |

NOTE:

- ALL DIMENSIONS ARE IN mm
- MULTIPLEX LEVEL -- 1/32 DUTY 1/6 BIAS
- DRIVING VOLTAGE -- VDD=5.0V VLCD=4.8V
- OPERATING TEMPERATURE: 0°C TO 50°C
STORAGE TEMPERATURE: -20°C TO 70°C
- STN YELLOW \ GREEN TRANSFLECTIVE POSITIVE MODE
- VIEWING ANGLE: 6 O'CLOCK OR 12 O'CLOCK
- CONNECTOR: COB



型号: LN12232-G



| THICKNESS: | | |
|-------------|---------|---------|
| | T1 | T2 |
| WITHOUT B/L | 4.7±0.3 | 9.0MAX |
| LED B/L | 8.4±0.3 | 13.5MAX |

| Mechanical data | | |
|----------------------|----------------|------|
| ITEM | SPECIFICATION | UNIT |
| Module Size(W*H*T) | 93.0*70.0*13.5 | mm |
| Viewing Area(W*H) | 70.6*38.7 | mm |
| Internal Area(W*H) | 66.52*33.24 | mm |
| Dot Pitch(W*H) | 0.52*0.52 | mm |
| Dot Size(W*H) | 0.48*0.48 | mm |
| Number of Dots (W*H) | 128*64 | Char |
| Weight | -- | g |

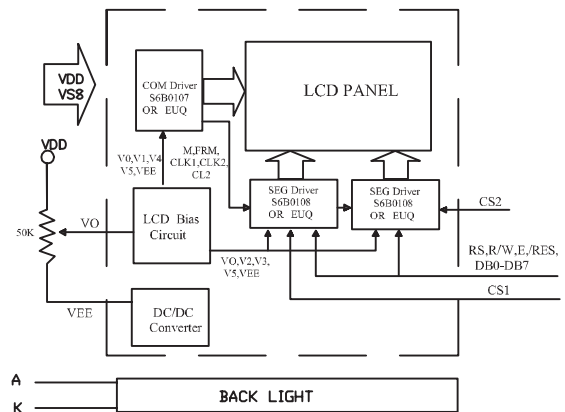
| ABSOLUTE MAXIMUM RATINGS(25°C) | | | | |
|--------------------------------|--------|---------|---------|------|
| PARAMETER | SYMBOL | MIN | MAX | UNIT |
| SUPPLY VOLTAGE LOGIC | VDD | -0.3 | +7.0 | V |
| SUPPLY VOLTAGE DRIVER | VLCD | VEE-0.3 | VDD+0.3 | V |
| INPUT VOLTAGE | VIN | -0.3 | VDD+0.3 | V |

| TYPE | |
|-----------|---|
| LCD MODE | FS(COLOR)TN,STN(YELLOW GREEN),STN(GRAY),STN(BLUE) |
| POLARIZER | REFLECTIVE,TRANSFLECTIVE,TRANSMISSIVE |
| BACKLIGHT | LED BOTTOM LIGHT(YELLOW-GREEN),EL BACKLIGHT |

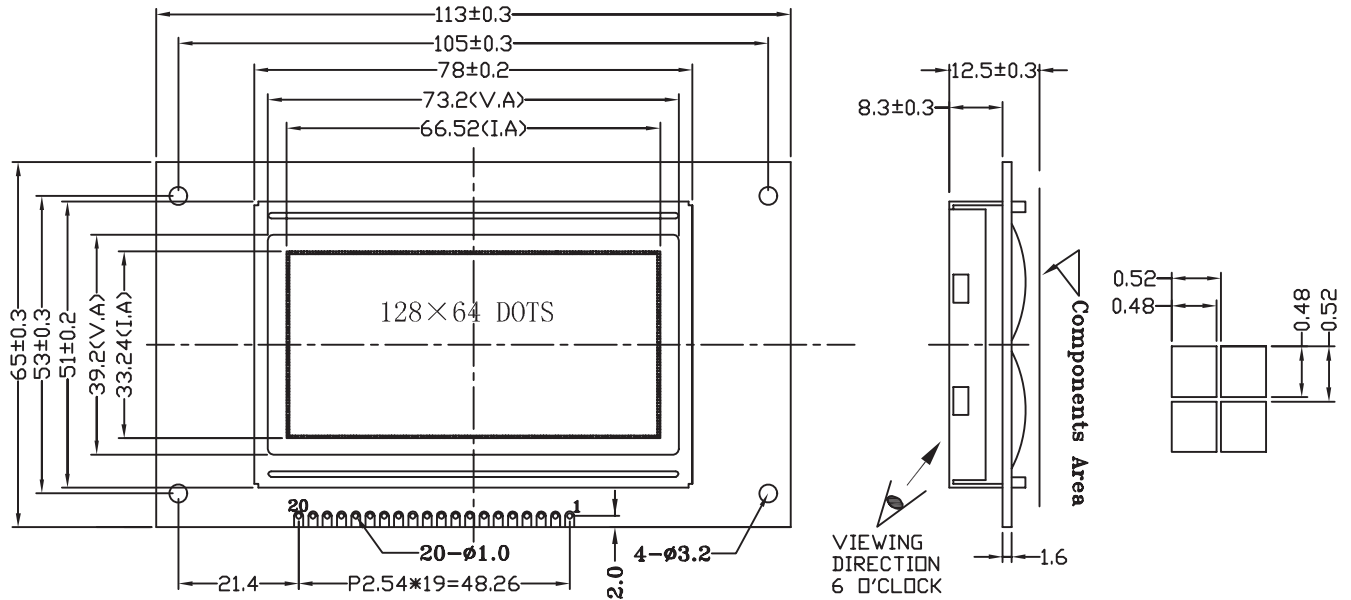
| PIN CONFIGURATION | | |
|-------------------|--------|---|
| ITEM | SYMBOL | DESCRIPTION |
| 1 | VSS | Power GND |
| 2 | VDD | Power Positive |
| 3 | V0 | Operating Voltage for LCD (Variable) |
| 4 | RS | Register Select |
| 5 | R/W | Read/Write Select |
| 6 | E | Enable Signal |
| 7 | DB0 | Data Bus |
| 8 | DB1 | Data Bus |
| 9 | DB2 | Data Bus |
| 10 | DB3 | Data Bus |
| 11 | DB4 | Data Bus |
| 12 | DB5 | Data Bus |
| 13 | DB6 | Data Bus |
| 14 | DB7 | Data Bus |
| 15 | CS1 | Chip Selection For Segment IC1 |
| 16 | CS2 | Chip Selection For Segment IC2 |
| 17 | /RST | Reset Signal |
| 18 | VEE | Power supply for LCD Drive(contrast adjustment) |
| 19 | LEDA | LED Supply Voltage + (5V) |
| 20 | LEDK | LED Supply Voltage - (0V) |

NOTE:

1. ALL DIMENSIONS ARE IN mm
2. MULTIPLEX LEVEL -- 1/64 DUTY 1/9 BIAS
3. DRIVING VOLTAGE -- VDD=5.0V VLCD=12V
4. OPERATING TEMPERATURE: 0°C TO 50°C
STORAGE TEMPERATURE: -20°C TO 70°C
5. STN YELLOW | GREEN TRANSFLECTIVE POSITIVE MODE
6. VIEWING ANGLE: 6 O'CLOCK OR 12 O'CLOCK
7. CONNECTOR: COB



型号: LN12864-A



| PIN CONFIGURATION | | |
|-------------------|--------|---|
| ITEM | SYMBOL | DESCRIPTION |
| 1 | VSS | Power GND |
| 2 | VDD | Power Positive |
| 3 | V0 | Operating Voltage for LCD (Variable) |
| 4 | RS | Register Select |
| 5 | R/W | Read/Write Select |
| 6 | E | Enable Signal |
| 7 | DB0 | Data Bus |
| 8 | DB1 | Data Bus |
| 9 | DB2 | Data Bus |
| 10 | DB3 | Data Bus |
| 11 | DB4 | Data Bus |
| 12 | DB5 | Data Bus |
| 13 | DB6 | Data Bus |
| 14 | DB7 | Data Bus |
| 15 | CS1 | Chip Selection For Segment IC1 |
| 16 | CS2 | Chip Selection For Segment IC2 |
| 17 | /RST | Reset Signal |
| 18 | VEE | Power supply for LCD Drive(contrast adjustment) |
| 19 | LEDA | LED Supply Voltage + (5V) |
| 20 | LEDK | LED Supply Voltage - (0V) |

| Mechanical data | | |
|----------------------|-----------------|------|
| ITEM | SPECIFICATION | UNIT |
| Module Size(W*H*T) | 113.0*65.0*12.5 | mm |
| Viewing Area(W*H) | 73.2*39.2 | mm |
| Internal Area(W*H) | 66.52*33.24 | mm |
| Dot Pitch(W*H) | 0.52*0.52 | mm |
| Dot Size(W*H) | 0.48*0.48 | mm |
| Number of Dots (W*H) | 128*64 | Char |
| Weight | -- | g |

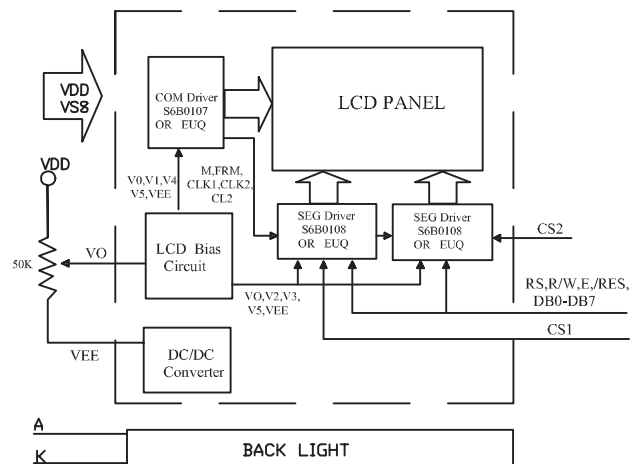
| ABSOLUTE MAXIMUM RATINGS(25°C) | | | | |
|--------------------------------|--------|---------|---------|------|
| PARAMETER | SYMBOL | MIN | MAX | UNIT |
| SUPPLY VOLTAGE LOGIC | VDD | -0.3 | +7.0 | V |
| SUPPLY VOLTAGE DRIVER | VLCD | VEE-0.3 | VDD+0.3 | V |
| INPUT VOLTAGE | VIN | -0.3 | VDD+0.3 | V |

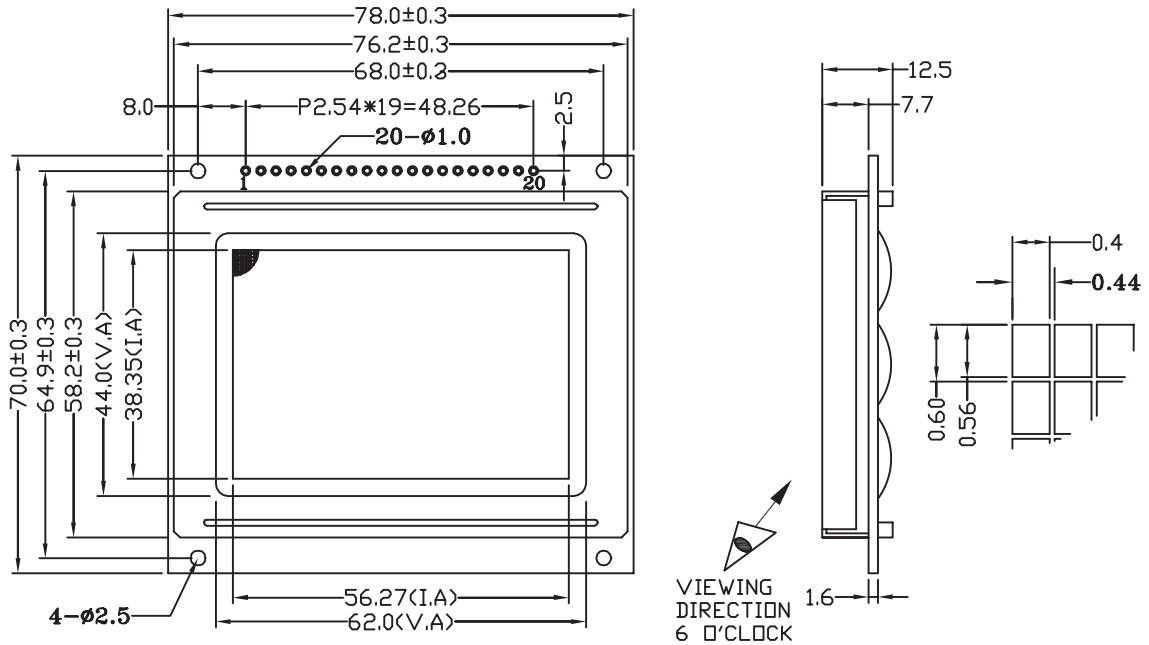
| TYPE | |
|-----------|---|
| LCD MODE | FS(COLOR)TN,STN(YELLOW GREEN),STN(GRAY),STN(BLUE) |
| POLARIZER | REFLECTIVE,TRANSFLECTIVE,TRANSMISSIVE |
| BACKLIGHT | LED BOTTOM LIGHT(YELLOW-GREEN),EL BACKLIGHT |

NOTE:

1. ALL DIMENSIONS ARE IN mm
2. MULTIPLEX LEVEL -- 1/64 DUTY 1/9 BIAS
3. DRIVING VOLTAGE -- VDD=5.0V VLCD=12V
4. OPERATING TEMPERATURE: 0°C TO 50°C
STORAGE TEMPERATURE: -20°C TO 70°C
5. STN YELLOW \ GREEN TRANSFLECTIVE POSITIVE MODE
6. VIEWING ANGLE: 6 O'CLOCK OR 12 O'CLOCK
7. CONNECTOR: COB

型号: LN12864-B





| PIN CONFIGURATION | | |
|-------------------|--------|---|
| ITEM | SYMBOL | DESCRIPTION |
| 1 | CS1 | Chip Selection For Segment IC1 |
| 2 | CS2 | Chip Selection For Segment IC2 |
| 3 | VSS | Power GND |
| 4 | VDD | Power Positive |
| 5 | V0 | Operating Voltage for LCD (Variable) |
| 6 | RS | Register Select |
| 7 | R/W | Read/Write Select |
| 8 | E | Enable Signal |
| 9 | DB0 | Data Bus |
| 10 | DB1 | Data Bus |
| 11 | DB2 | Data Bus |
| 12 | DB3 | Data Bus |
| 13 | DB4 | Data Bus |
| 14 | DB5 | Data Bus |
| 15 | DB6 | Data Bus |
| 16 | DB7 | Data Bus |
| 17 | /RST | Reset Signal |
| 18 | VEE | Power supply for LCD Drive(contrast adjustment) |
| 19 | LEDA | LED Supply Voltage + (5V) |
| 20 | LEDK | LED Supply Voltage - (0V) |

| Mechanical data | | |
|----------------------|----------------|------|
| ITEM | SPECIFICATION | UNIT |
| Module Size(W*H*T) | 78.0*70.0*12.5 | mm |
| Viewing Area(W*H) | 62.0*44.0 | mm |
| Internal Area(W*H) | 56.27*38.35 | mm |
| Dot Pitch(W*H) | 0.44*0.6 | mm |
| Dot Size(W*H) | 0.4*0.56 | mm |
| Number of Dots (W*H) | 128*64 | Char |
| Weight | -- | g |

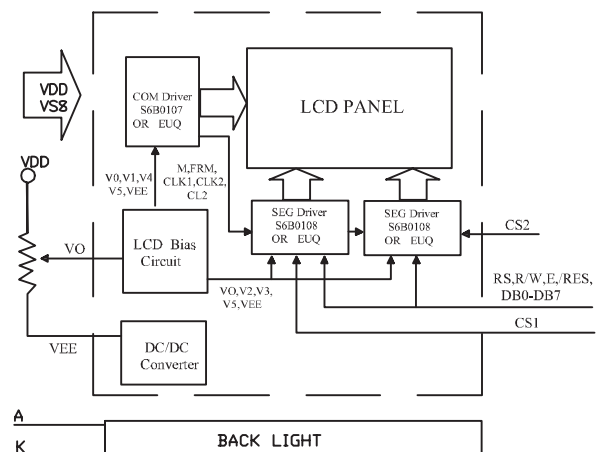
| ABSOLUTE MAXIMUM RATINGS(25°C) | | | | |
|--------------------------------|--------|---------|---------|------|
| PARAMETER | SYMBOL | MIN | MAX | UNIT |
| SUPPLY VOLTAGE LOGIC | VDD | -0.3 | +7.0 | V |
| SUPPLY VOLTAGE DRIVER | VLCD | VEE-0.3 | VDD+0.3 | V |
| INPUT VOLTAGE | VIN | -0.3 | VDD+0.3 | V |

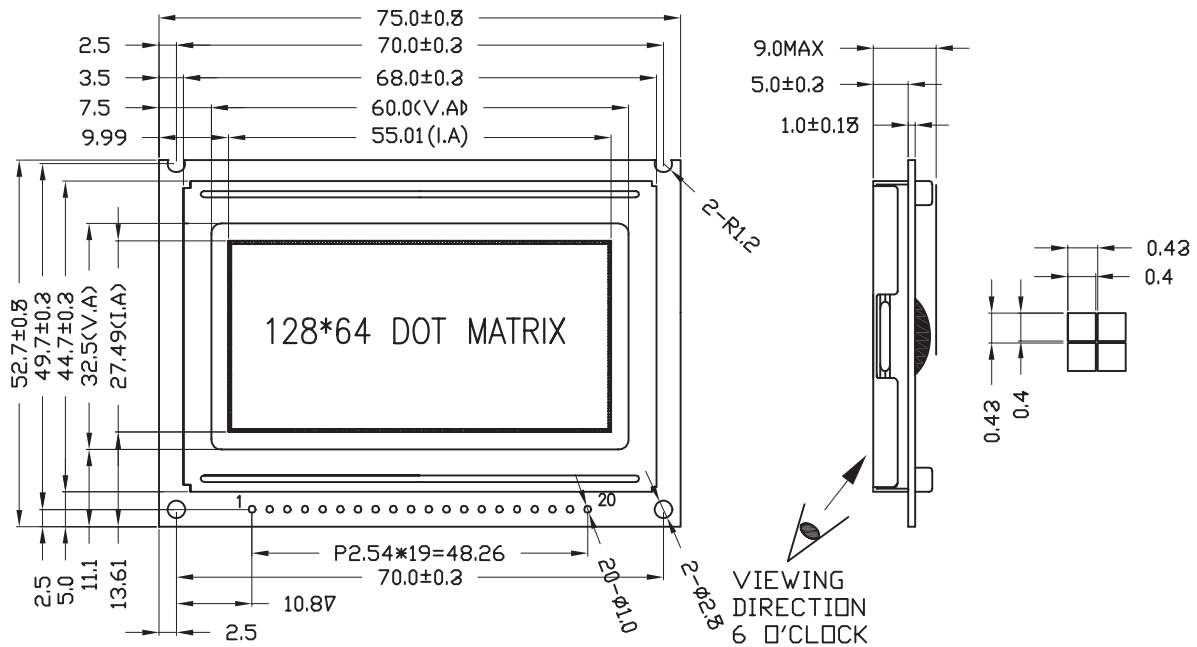
| TYPE | |
|-----------|---|
| LCD MODE | FS(COLOR)TN,STN(YELLOW GREEN),STN(GRAY),STN(BLUE) |
| POLARIZER | REFLECTIVE,TRANSFLECTIVE,TRANSMISSIVE |
| BACKLIGHT | LED BOTTOM LIGHT(YELLOW-GREEN),EL BACKLIGHT |

NOTE:

1. ALL DIMENSIONS ARE IN mm
2. MULTIPLEX LEVEL -- 1/64 DUTY 1/9 BIAS
3. DRIVING VOLTAGE -- VDD=5.0V VLCD=12V
4. OPERATING TEMPERATURE: 0°C TO 50°C
STORAGE TEMPERATURE: -20°C TO 70°C
5. STN YELLOW \ GREEN TRANSFLECTIVE POSITIVE MODE
6. VIEWING ANGLE: 6 O'CLOCK OR 12 O'CLOCK
7. CONNECTOR: COB

型号: LN12864-C





| PIN CONFIGURATION | | |
|-------------------|--------|---|
| ITEM | SYMBOL | DESCRIPTION |
| 1 | VDD | Power Positive |
| 2 | VSS | Power GND |
| 3 | V0 | Operating Voltage for LCD (Variable) |
| 4 | DB0 | Data Bus |
| 5 | DB1 | Data Bus |
| 6 | DB2 | Data Bus |
| 7 | DB3 | Data Bus |
| 8 | DB4 | Data Bus |
| 9 | DB5 | Data Bus |
| 10 | DB6 | Data Bus |
| 11 | DB7 | Data Bus |
| 12 | CS1 | Chip Selection For Segment IC1 |
| 13 | CS2 | Chip Selection For Segment IC2 |
| 14 | /RST | Reset Signal |
| 15 | R/W | Read/Write Select |
| 16 | RS | Register Select |
| 17 | E | Enable Signal |
| 18 | VEE | Power supply for LCD Drive(contrast adjustment) |
| 19 | LEDA | LED Supply Voltage + (5V) |
| 20 | LEDK | LED Supply Voltage - (0V) |

NOTE:

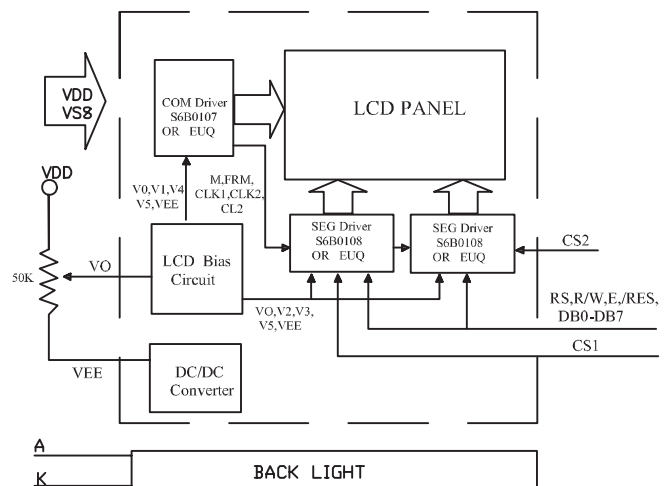
1. ALL DIMENSIONS ARE IN mm
2. MULTIPLEX LEVEL -- 1/64 DUTY 1/9 BIAS
3. DRIVING VOLTAGE -- VDD=5.0V VLCD=12V
4. OPERATING TEMPERATURE: 0°C TO 50°C
STORAGE TEMPERATURE: -20°C TO 70°C
5. STN YELLOW \ GREEN TRANSFLECTIVE POSITIVE MODE
6. VIEWING ANGLE: 6 O'CLOCK OR 12 O'CLOCK
7. CONNECTOR: COB

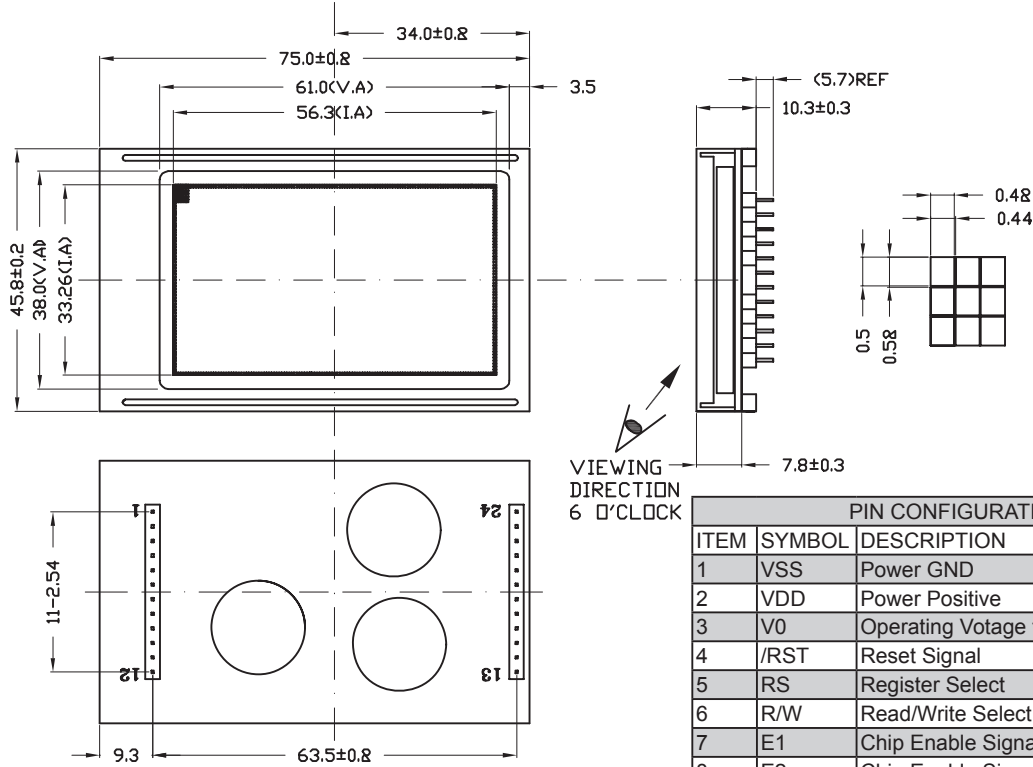
型号: LN12864-D

| Mechanical data | | |
|----------------------|---------------|------|
| ITEM | SPECIFICATION | UNIT |
| Module Size(W*H*T) | 75.0*52.7*9.0 | mm |
| Viewing Area(W*H) | 60.0*32.5 | mm |
| Internal Area(W*H) | 55.01*27.49 | mm |
| Dot Pitch(W*H) | 0.43*0.43 | mm |
| Dot Size(W*H) | 0.4*0.4 | mm |
| Number of Dots (W*H) | 128*64 | Char |
| Weight | -- | g |

| ABSOLUTE MAXIMUM RATINGS(25°C) | | | | |
|--------------------------------|--------|---------|---------|------|
| PARAMETER | SYMBOL | MIN | MAX | UNIT |
| SUPPLY VOLTAGE LOGIC | VDD | -0.3 | +7.0 | V |
| SUPPLY VOLTAGE DRIVER | VLCD | VEE-0.3 | VDD+0.3 | V |
| INPUT VOLTAGE | VIN | -0.3 | VDD+0.3 | V |

| TYPE | |
|-----------|---|
| LCD MODE | FS(COLOR)TN,STN(YELLOW GREEN),STN(GRAY),STN(BLUE) |
| POLARIZER | REFLECTIVE,TRANSFLECTIVE,TRANSMISSIVE |
| BACKLIGHT | LED BOTTOM LIGHT(YELLOW-GREEN),EL BACKLIGHT |





| Mechanical data | | |
|----------------------|----------------|------|
| ITEM | SPECIFICATION | UNIT |
| Module Size(W*H*T) | 75.0*45.8*10.3 | mm |
| Viewing Area(W*H) | 61.0*38.0 | mm |
| Internal Area(W*H) | 56.3*33.26 | mm |
| Dot Pitch(W*H) | 0.42*0.52 | mm |
| Dot Size(W*H) | 0.42*0.5 | mm |
| Number of Dots (W*H) | 128*64 | Char |
| Weight | -- | g |

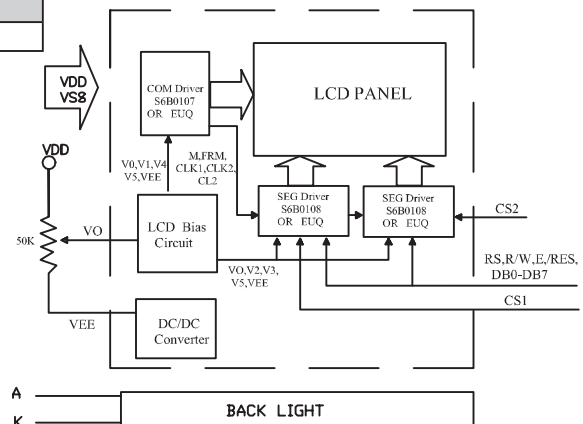
| ABSOLUTE MAXIMUM RATINGS(25°C) | | | | |
|--------------------------------|--------|---------|---------|------|
| PARAMETER | SYMBOL | MIN | MAX | UNIT |
| SUPPLY VOLTAGE LOGIC | VDD | -0.3 | +7.0 | V |
| SUPPLY VOLTAGE DRIVER | VLCD | VEE-0.3 | VDD+0.3 | V |
| INPUT VOLTAGE | VIN | -0.3 | VDD+0.3 | V |

| TYPE | |
|-----------|---|
| LCD MODE | FS(COLOR)TN,STN(YELLOW GREEN),STN(GRAY),STN(BLUE) |
| POLARIZER | REFLECTIVE,TRANSFLECTIVE,TRANSMISSIVE |
| BACKLIGHT | LED BOTTOM LIGHT(YELLOW-GREEN),EL BACKLIGHT |

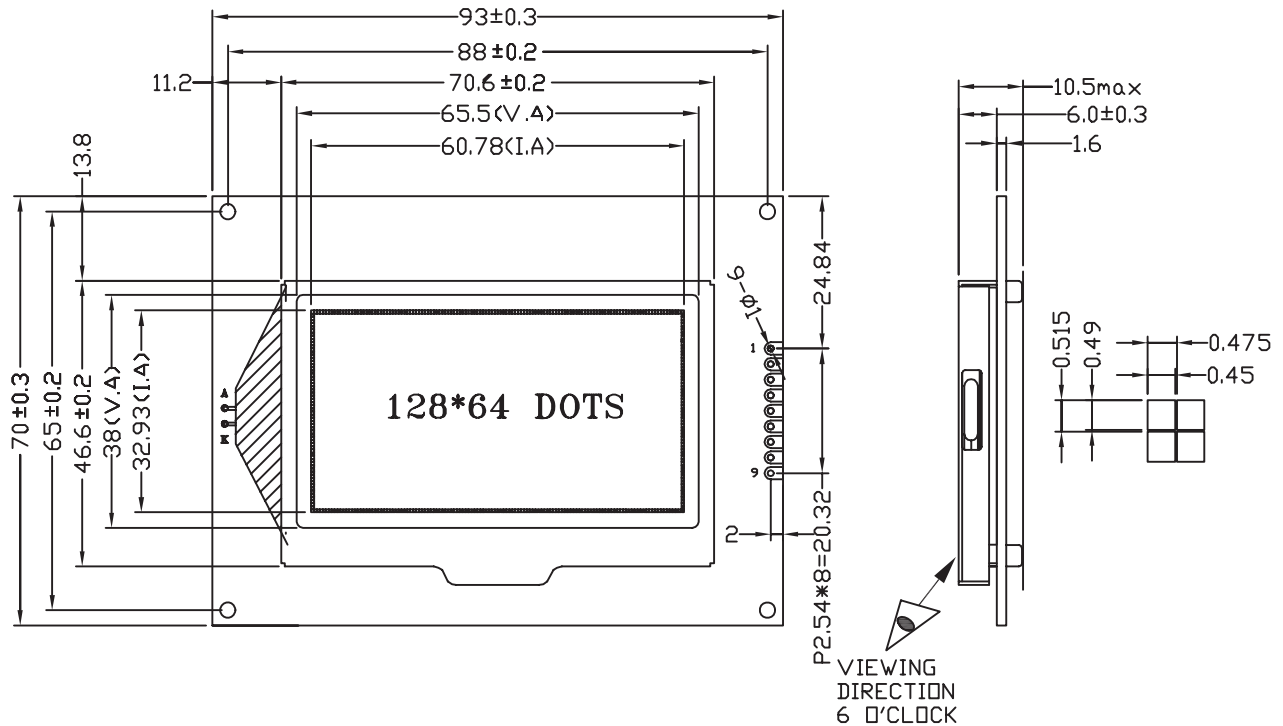
NOTE:

1. ALL DIMENSIONS ARE IN mm
2. MULTIPLEX LEVEL -- 1/32 DUTY 1/6 BIAS
3. DRIVING VOLTAGE -- VDD=5.0V VLCD=7V
4. OPERATING TEMPERATURE: 0°C TO 50°C
STORAGE TEMPERATURE: -20°C TO 70°C
5. STN YELLOW \ GREEN TRANSFLECTIVE POSITIVE MODE
6. VIEWING ANGLE: 6 O'CLOCK OR 12 O'CLOCK
7. CONNECTOR: COB

| PIN CONFIGURATION | | |
|-------------------|--------|---|
| ITEM | SYMBOL | DESCRIPTION |
| 1 | VSS | Power GND |
| 2 | VDD | Power Positive |
| 3 | V0 | Operating Votage for LCD (Variable) |
| 4 | /RST | Reset Signal |
| 5 | RS | Register Select |
| 6 | R/W | Read/Write Select |
| 7 | E1 | Chip Enable Signal for IC1 |
| 8 | E2 | Chip Enable Signal for IC2 |
| 9 | CS1L | Chip select for IC1,L -active |
| 10 | CS1H | Chip select for IC1,H -active |
| 11 | CS2L | Chip select for IC2,L -active |
| 12 | CS2H | Chip select for IC2,H -active |
| 13 | VEE | Power supply for LCD Drive(contrast adjustment) |
| 14 | NC | No Connect |
| 15 | DB0 | Data Bus |
| 16 | DB1 | Data Bus |
| 17 | DB2 | Data Bus |
| 18 | DB3 | Data Bus |
| 19 | DB4 | Data Bus |
| 20 | DB5 | Data Bus |
| 21 | DB6 | Data Bus |
| 22 | DB7 | Data Bus |
| 23 | LEDA | LED Supply Voltage + (5V) |
| 24 | LEDK | LED Supply Voltage - (0V) |



型号: LN12864-E



| Mechanical data | | |
|----------------------|----------------|------|
| ITEM | SPECIFICATION | UNIT |
| Module Size(W*H*T) | 93.0*70.0*10.5 | mm |
| Viewing Area(W*H) | 65.5*38.0 | mm |
| Internal Area(W*H) | 60.78*32.93 | mm |
| Dot Pitch(W*H) | 0.475*0.515 | mm |
| Dot Size(W*H) | 0.45*0.449 | mm |
| Number of Dots (W*H) | 128*64 | Char |
| Weight | -- | g |

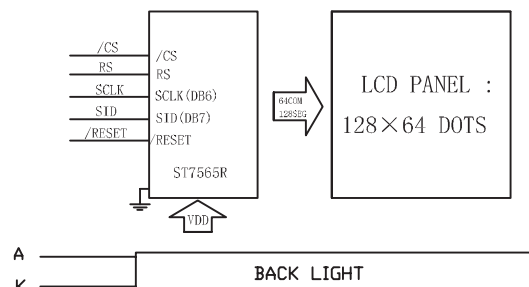
| PIN CONFIGURATION | | |
|-------------------|--------|---------------------------|
| ITEM | SYMBOL | DESCRIPTION |
| 1 | VSS | Power GND |
| 2 | VDD | Power Positive |
| 3 | RS | Register Select |
| 4 | SCK | Serial Clock |
| 5 | SID | Serial Data |
| 6 | /RST | Resct Signal |
| 7 | /CS | Chip select |
| 8 | LEDK | LED Supply Voltage - (0V) |
| 9 | LEDA | LED Supply Voltage + (5V) |

| ABSOLUTE MAXIMUM RATINGS(25°C) | | | | |
|--------------------------------|--------|---------|---------|------|
| PARAMETER | SYMBOL | MIN | MAX | UNIT |
| SUPPLY VOLTAGE LOGIC | VDD | -0.3 | +7.0 | V |
| SUPPLY VOLTAGE DRIVER | VLCD | VEE-0.3 | VDD+0.3 | V |
| INPUT VOLTAGE | VIN | -0.3 | VDD+0.3 | V |

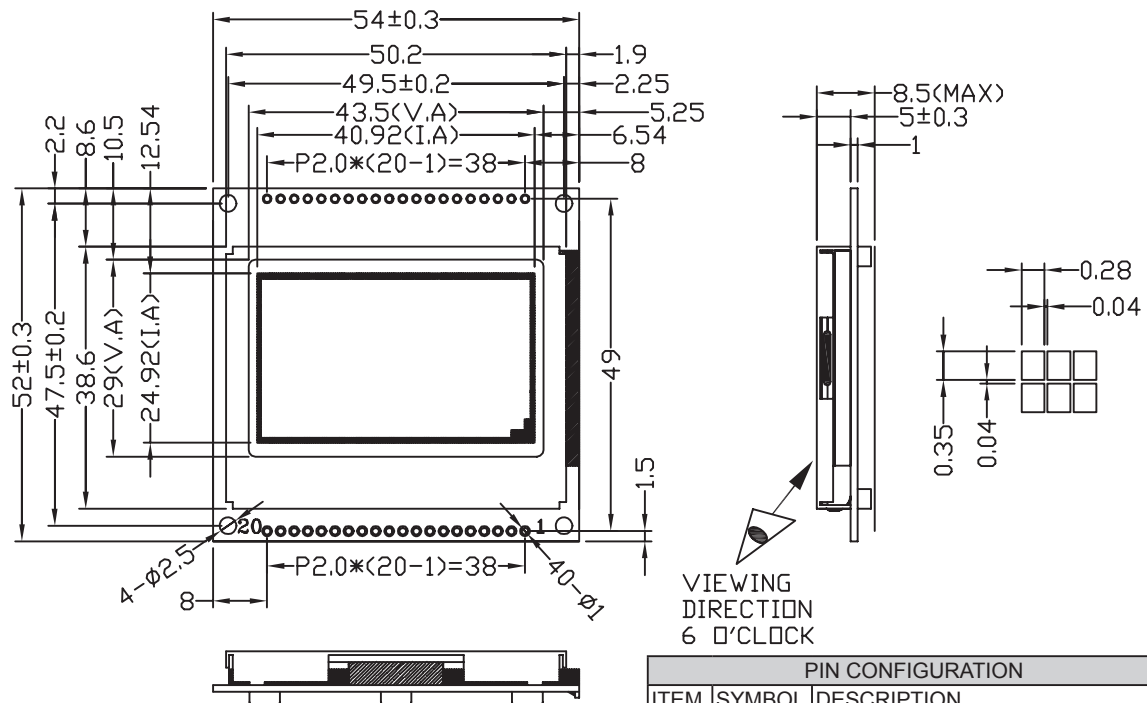
| TYPE | |
|-----------|---|
| LCD MODE | FS(COLOR)TN,STN(YELLOW GREEN),STN(GRAY),STN(BLUE) |
| POLARIZER | REFLECTIVE,TRANSFLECTIVE,TRANSMISSIVE |
| BACKLIGHT | LED BOTTOM LIGHT(YELLOW-GREEN),EL BACKLIGHT |

NOTE:

1. ALL DIMENSIONS ARE IN mm
2. MULTIPLEX LEVEL -- 1/64 DUTY 1/9 BIAS
3. DRIVING VOLTAGE -- VDD=5.0V VLCD=12V
4. OPERATING TEMPERATURE: 0°C TO 50°C
STORAGE TEMPERATURE: -20°C TO 70°C
5. STN YELLOW \ GREEN TRANSFLECTIVE POSITIVE MODE
6. VIEWING ANGLE: 6 O'CLOCK OR 12 O'CLOCK
7. CONNECTOR: COG



型号: LN12864-F



| Mechanical data | | |
|----------------------|---------------|------|
| ITEM | SPECIFICATION | UNIT |
| Module Size(W*H*T) | 54.0*52.0*8.5 | mm |
| Viewing Area(W*H) | 43.5*29.0 | mm |
| Internal Area(W*H) | 40.92*24.92 | mm |
| Dot Pitch(W*H) | 0.32*0.39 | mm |
| Dot Size(W*H) | 0.28*0.35 | mm |
| Number of Dots (W*H) | 128*64 | Char |
| Weight | -- | g |

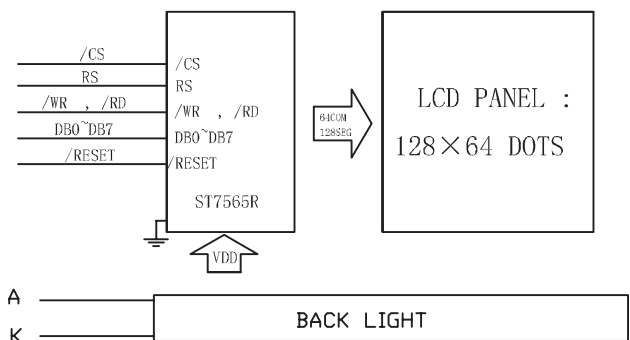
| ABSOLUTE MAXIMUM RATINGS(25°C) | | | | |
|--------------------------------|--------|---------|---------|------|
| PARAMETER | SYMBOL | MIN | MAX | UNIT |
| SUPPLY VOLTAGE LOGIC | VDD | -0.3 | +7.0 | V |
| SUPPLY VOLTAGE DRIVER | VLCD | VEE-0.3 | VDD+0.3 | V |
| INPUT VOLTAGE | VIN | -0.3 | VDD+0.3 | V |

| TYPE | |
|-----------|---|
| LCD MODE | FS(COLOR)TN,STN(YELLOW GREEN),STN(GRAY),STN(BLUE) |
| POLARIZER | REFLECTIVE,TRANSFLECTIVE,TRANSMISSIVE |
| BACKLIGHT | LED BOTTOM LIGHT(YELLOW-GREEN),EL BACKLIGHT |

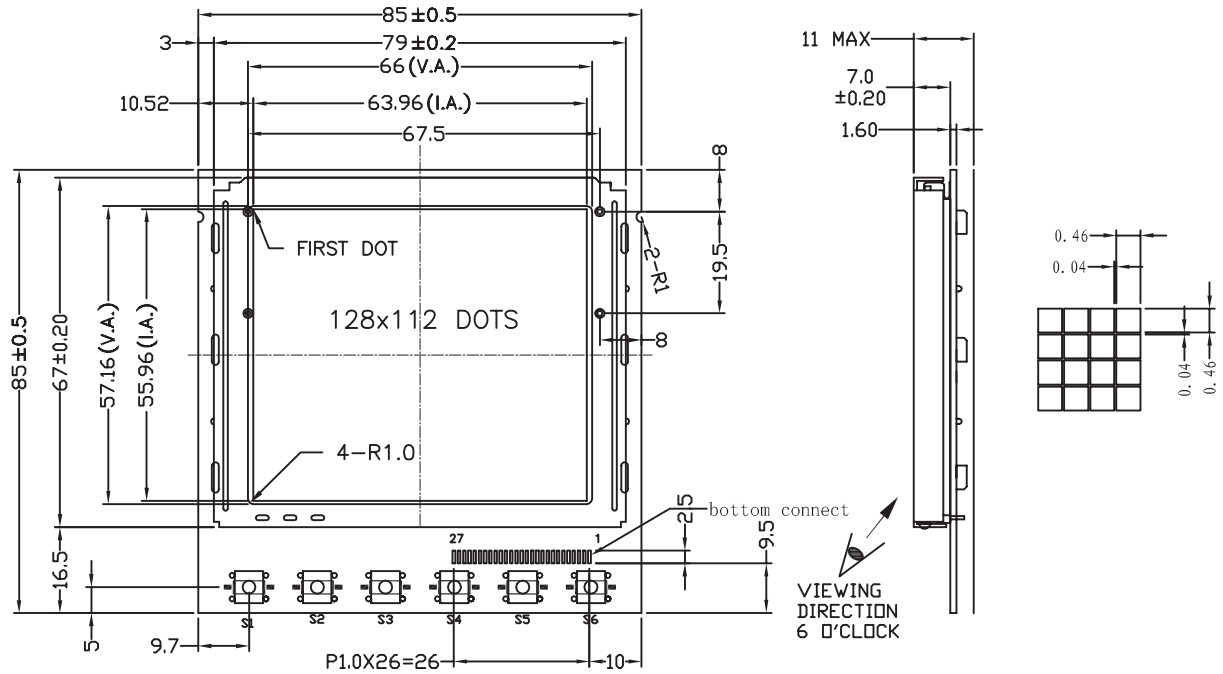
| PIN CONFIGURATION | | |
|-------------------|--------|---|
| ITEM | SYMBOL | DESCRIPTION |
| 1 | VSS | Power GND |
| 2 | VDD | Power Positive |
| 3 | V0 | Operating Votage for LCD (Variable) |
| 4 | RS | Register Select |
| 5 | R/W | Read/Write Select |
| 6 | E | Enable Signal |
| 7 | DB0 | Data Bus |
| 8 | DB1 | Data Bus |
| 9 | DB2 | Data Bus |
| 10 | DB3 | Data Bus |
| 11 | DB4 | Data Bus |
| 12 | DB5 | Data Bus |
| 13 | DB6 | Data Bus |
| 14 | DB7 | Data Bus |
| 15 | /CS | Chip Selection |
| 16 | NC | No Connect |
| 17 | /RST | Resrl Signal |
| 18 | VEE | Power supply for LCD Drive(contrast adiustnent) |
| 19 | LEDA | LED Supply Voltage + (5V) |
| 20 | LEDK | LED Supply Voltage - (0V) |

NOTE:

- ALL DIMENSIONS ARE IN mm
- MULTIPLEX LEVEL -- 1/64 DUTY 1/9 BIAS
- DRIVING VOLTAGE -- VDD=5.0V VLCD=12V
- OPERATING TEMPERATURE: 0°C TO 50°C
STORAGE TEMPERATURE: -20°C TO 70°C
- STN YELLOW \ GREEN TRANSFLECTIVE POSITIVE MODE
- VIEWING ANGLE: 6 O'CLOCK OR 12 O'CLOCK
- CONNECTOR: COG



型号: LN12864-G



| Mechanical data | | |
|----------------------|---------------|------|
| ITEM | SPECIFICATION | UNIT |
| Module Size(W*H*T) | 110*97.13.0 | mm |
| Viewing Area(W*H) | 85.3*66.3 | mm |
| Internal Area(W*H) | 79.32*59.32 | mm |
| Dot Pitch(W*H) | 0.62*0.53 | mm |
| Dot Size(W*H) | 0.58*0.49 | mm |
| Number of Dots (W*H) | 128*112 | Char |
| Weight | -- | g |

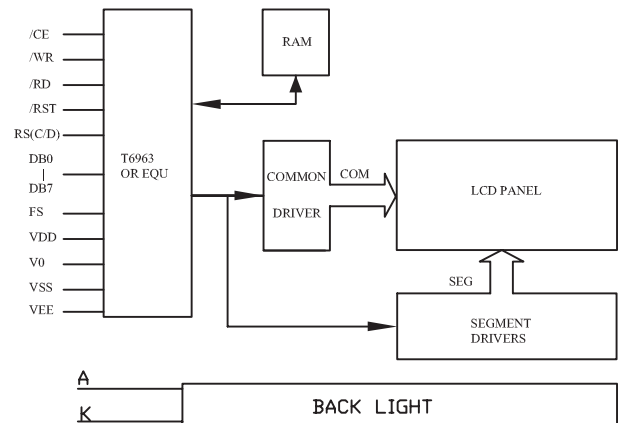
| ABSOLUTE MAXIMUM RATINGS(25°C) | | | | |
|--------------------------------|--------|------|---------|------|
| PARAMETER | SYMBOL | MIN | MAX | UNIT |
| SUPPLY VOLTAGE LOGIC | VDD | -0.3 | +7.0 | V |
| SUPPLY VOLTAGE DRIVER | VLCD | 15 | 23 | V |
| INPUT VOLTAGE | VIN | -0.3 | VDD+0.3 | V |

| TYPE | |
|-----------|---|
| LCD MODE | FS(COLOR)TN,STN(YELLOW GREEN),STN(GRAY),STN(BLUE) |
| POLARIZER | REFLECTIVE,TRANSFLECTIVE,TRANSMISSIVE |
| BACKLIGHT | LED BOTTOM LIGHT(YELLOW-GREEN),EL BACKLIGHT |

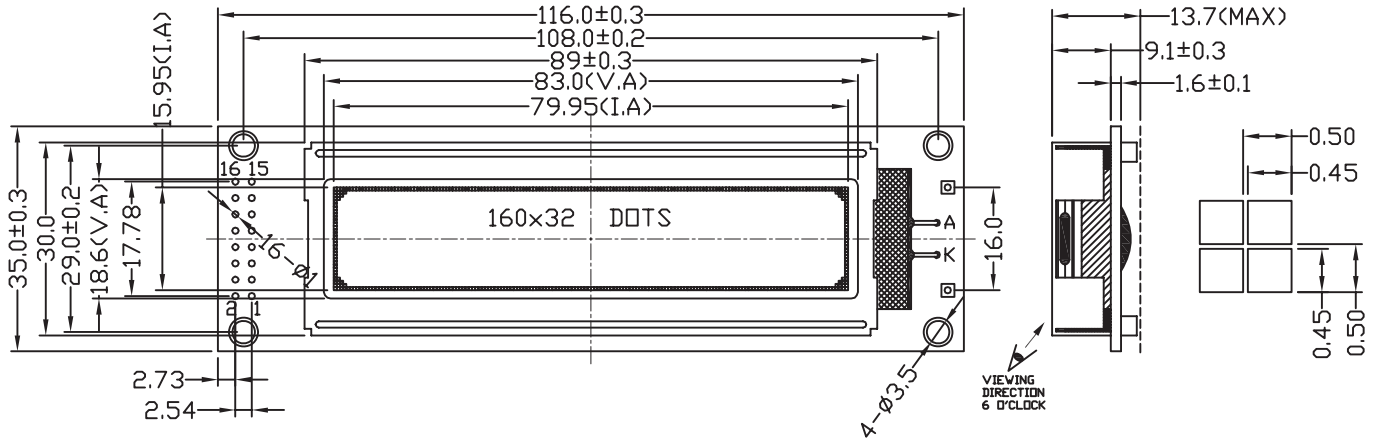
| PIN CONFIGURATION | | |
|-------------------|--------|---|
| ITEM | SYMBOL | DESCRIPTION |
| 1 | LEDA | LED Supply Voltage+□5V□ |
| 2 | VEE | Power Supply for LCD Drive(contrast adjustment) |
| 3 | VDD | power Positive |
| 4 | VSS | Power GND |
| 5 | VSS | Power GND |
| 6 | BLE | B/L Enable |
| 7 | FLM | COM Data |
| 8 | M | Alternating Signal |
| 9 | LP | Latched Clock |
| 10 | CP | Shifting Clock |
| 11 | D0 | Data Bus |
| 12 | D1 | Data Bus |
| 13 | D2 | Data Bus |
| 14 | D3 | Data Bus |
| 15 | NC | No Connect |
| 16 | NC | No Connect |
| 17 | NC | No Connect |

NOTE:

1. ALL DIMENSIONS ARE IN mm
2. MULTIPLEX LEVEL -- 1/112 DUTY 1/12 BIAS
3. DRIVING VOLTAGE -- VDD=5.0V VLCD=17V
4. OPERATING TEMPERATURE: 0°C TO 50°C
STORAGE TEMPERATURE: -20°C TO 70°C
5. STN YELLOW \ GREEN TRANSFLECTIVE POSITIVE MODE
6. VIEWING ANGLE: 6 O'CLOCK OR 12 O'CLOCK
7. CONNECTOR: SMT



型号: LN128112-A



| Mechanical data | | |
|----------------------|-----------------|------|
| ITEM | SPECIFICATION | UNIT |
| Module Size(W*H*T) | 116.0*35.0*13.7 | mm |
| Viewing Area(W*H) | 83.0*18.6 | mm |
| Internal Area(W*H) | 79.95*15.95 | mm |
| Dot Pitch(W*H) | 0.5*0.5 | mm |
| Dot Size(W*H) | 0.45*0.45 | mm |
| Number of Dots (W*H) | 160*32 | Char |
| Weight | - | g |

| ABSOLUTE MAXIMUM RATINGS(25°C) | | | | |
|--------------------------------|--------|----------|---------|------|
| PARAMETER | SYMBOL | MIN | MAX | UNIT |
| SUPPLY VOLTAGE LOGIC | VDD | -0.3 | +7.0 | V |
| SUPPLY VOLTAGE DRIVER | VLCD | VEE-13.5 | VDD+0.3 | V |
| INPUT VOLTAGE | VIN | -0.3 | VDD+0.3 | V |

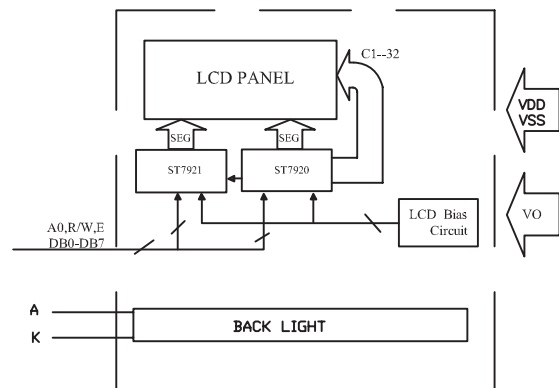
| TYPE | |
|-----------|---|
| LCD MODE | FS(COLOR)TN,STN(YELLOW GREEN),STN(GRAY),STN(BLUE) |
| POLARIZER | REFLECTIVE,TRANSFLECTIVE,TRANSMISSIVE |
| BACKLIGHT | LED BOTTOM LIGHT(YELLOW-GREEN),EL BACKLIGHT |

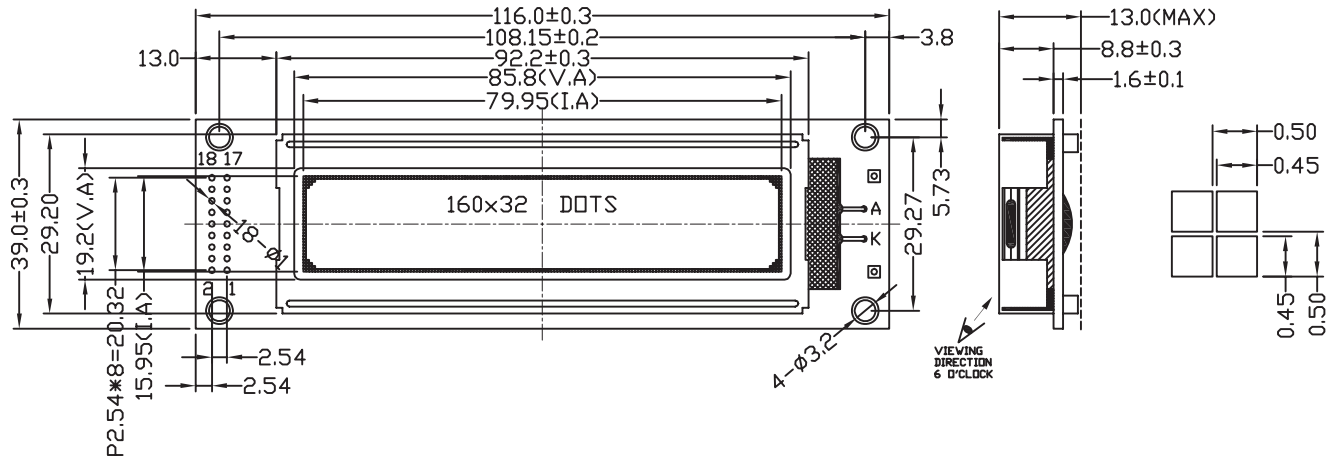
| PIN CONFIGURATION | | |
|-------------------|--------|--------------------------------------|
| ITEM | SYMBOL | DESCRIPTION |
| 1 | VSS | Power GND |
| 2 | VDD | Power Positive |
| 3 | V0 | Operating Voltage for LCD (Variable) |
| 4 | RS | Register Select |
| 5 | R/W | Read/Write Select |
| 6 | E | Enable Signal |
| 7 | DB0 | Data Bus |
| 8 | DB1 | Data Bus |
| 9 | DB2 | Data Bus |
| 10 | DB3 | Data Bus |
| 11 | DB4 | Data Bus |
| 12 | DB5 | Data Bus |
| 13 | DB6 | Data Bus |
| 14 | DB7 | Data Bus |
| 15 | LEDA | LED Supply Voltage + (5.0V) |
| 16 | LEDK | LED Supply Voltage - (0V) |

NOTE:

1. ALL DIMENSIONS ARE IN mm
2. MULTIPLEX LEVEL -- 1/32 DUTY 1/6 BIAS
3. DRIVING VOLTAGE -- VDD=5.0V VLCD=7.0V
4. OPERATING TEMPERATURE: 0°C TO 50°C
STORAGE TEMPERATURE: -20°C TO 70°C
5. STN YELLOW \ GREEN TRANSFLECTIVE POSITIVE MODE
6. VIEWING ANGLE: 6 O'CLOCK OR 12 O'CLOCK
7. CONNECTOR: COB

型号: LN16032-A





| Mechanical data | | |
|----------------------|----------------|------|
| ITEM | SPECIFICATION | UNIT |
| Module Size(W*H*T) | 116.0*39.0*3.0 | mm |
| Viewing Area(W*H) | 85.8*19.2 | mm |
| Internal Area(W*H) | 79.95*15.95 | mm |
| Dot Pitch(W*H) | 0.5*0.5 | mm |
| Dot Size(W*H) | 0.45*0.45 | mm |
| Number of Dots (W*H) | 160*32 | Char |
| Weight | -- | g |

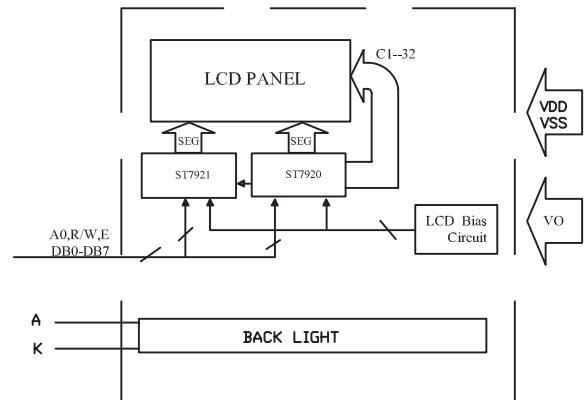
| PIN CONFIGURATION | | |
|-------------------|--------|--------------------------------------|
| ITEM | SYMBOL | DESCRIPTION |
| 1 | VSS | Power GND |
| 2 | VDD | Power Positive |
| 3 | V0 | Operating Voltage for LCD (Variable) |
| 4 | RS | Register Select |
| 5 | R/W | Read/Write Select |
| 6 | E | Enable Signal |
| 7 | DB0 | Data Bus |
| 8 | DB1 | Data Bus |
| 9 | DB2 | Data Bus |
| 10 | DB3 | Data Bus |
| 11 | DB4 | Data Bus |
| 12 | DB5 | Data Bus |
| 13 | DB6 | Data Bus |
| 14 | DB7 | Data Bus |
| 15 | /RST | Reset Signal |
| 16 | NC | No Connect |
| 17 | LEDA | LED Supply Voltage + (5V) |
| 18 | LEDK | LED Supply Voltage - (0V) |

| ABSOLUTE MAXIMUM RATINGS(25°C) | | | | |
|--------------------------------|--------|----------|---------|------|
| PARAMETER | SYMBOL | MIN | MAX | UNIT |
| SUPPLY VOLTAGE LOGIC | VDD | -0.3 | +7.0 | V |
| SUPPLY VOLTAGE DRIVER | VLCD | VEE-13.5 | VDD+0.3 | V |
| INPUT VOLTAGE | VIN | -0.3 | VDD+0.3 | V |

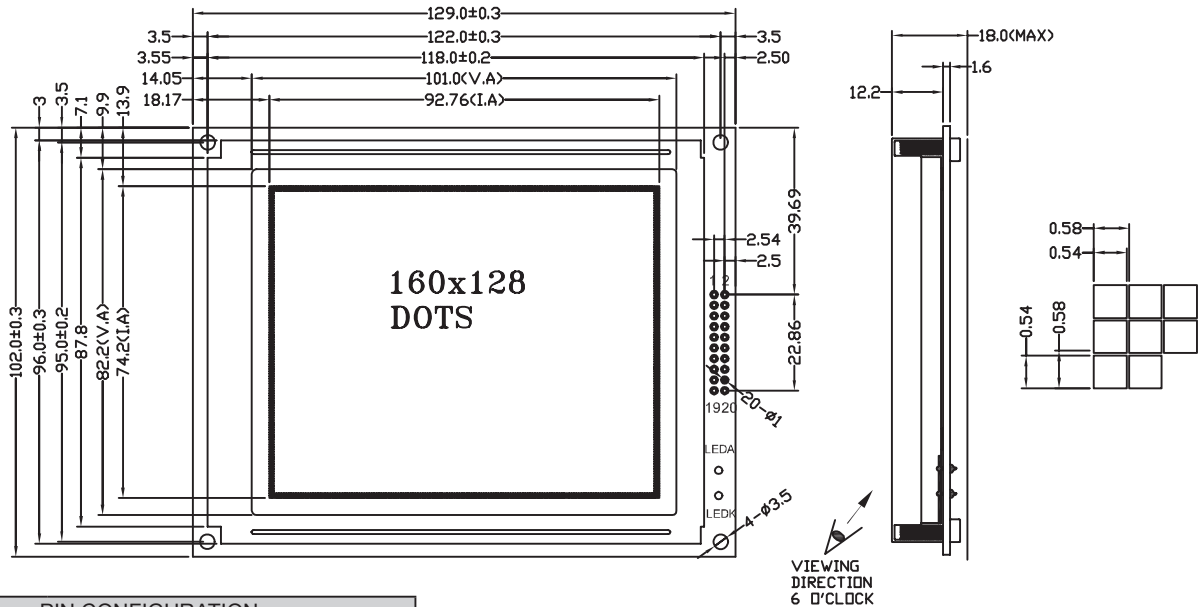
| TYPE | |
|-----------|---|
| LCD MODE | FS(COLOR)TN,STN(YELLOW GREEN),STN(GRAY),STN(BLUE) |
| POLARIZER | REFLECTIVE,TRANSFLECTIVE,TRANSMISSIVE |
| BACKLIGHT | LED BOTTOM LIGHT(YELLOW-GREEN),EL BACKLIGHT |

NOTE:

- ALL DIMENSIONS ARE IN mm
- MULTIPLEX LEVEL -- 1/32 DUTY 1/6 BIAS
- DRIVING VOLTAGE -- VDD=5.0V VLCD=7.0V
- OPERATING TEMPERATURE: 0°C TO 50°C
STORAGE TEMPERATURE: -20°C TO 70°C
- STN YELLOW \ GREEN TRANSFLECTIVE POSITIVE MODE
- VIEWING ANGLE: 6 O'CLOCK OR 12 O'CLOCK
- CONNECTOR: COB



型号: LN16032-B



| PIN CONFIGURATION | | |
|-------------------|--------|---|
| ITEM | SYMBOL | DESCRIPTION |
| 1 | FGND | Frame Grand |
| 2 | VSS | Power GND |
| 3 | VDD | Power Positive |
| 4 | FS | Font Select H: 6x8 (default) L: 8x8 |
| 5 | V0 | Operating Votage for LCD (Variable) |
| 6 | /WR | Data Write |
| 7 | /RD | Data Read |
| 8 | /CE | Chip Enable |
| 9 | C/D | Code/Data |
| 10 | HALT | H..Normal L..Stops the oscillation of the clock |
| 11 | /RST | Reset |
| 12 | DB0 | Data Bus |
| 13 | DB1 | Data Bus |
| 14 | DB2 | Data Bus |
| 15 | DB3 | Data Bus |
| 16 | DB4 | Data Bus |
| 17 | DB5 | Data Bus |
| 18 | DB6 | Data Bus |
| 19 | DB7 | Data Bus |
| 20 | NC | No Connect |
| LEDA | LEDA | LED Supply Voltage + (5V) |
| LEDK | LEDK | LED Supply Voltage - (0V) |

| Mechanical data | | |
|----------------------|---------------|------|
| ITEM | SPECIFICATION | UNIT |
| Module Size(W*H*T) | 129*102*18.0 | mm |
| Viewing Area(W*H) | 101.1*82.2 | mm |
| Internal Area(W*H) | 92.76*74.2 | mm |
| Dot Pitch(W*H) | 0.58*0.58 | mm |
| Dot Size(W*H) | 0.54*0.54 | mm |
| Number of Dots (W*H) | 160*128 | Char |
| Weight | -- | g |

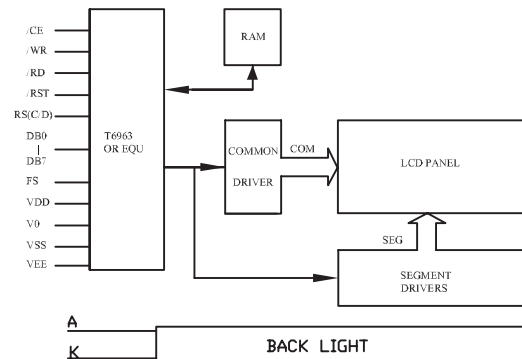
| ABSOLUTE MAXIMUM RATINGS(25°C) | | | | |
|--------------------------------|--------|------|---------|------|
| PARAMETER | SYMBOL | MIN | MAX | UNIT |
| SUPPLY VOLTAGE LOGIC | VDD | -0.3 | +7.0 | V |
| SUPPLY VOLTAGE DRIVER | VLCD | 15 | 23 | V |
| INPUT VOLTAGE | VIN | -0.3 | VDD+0.3 | V |

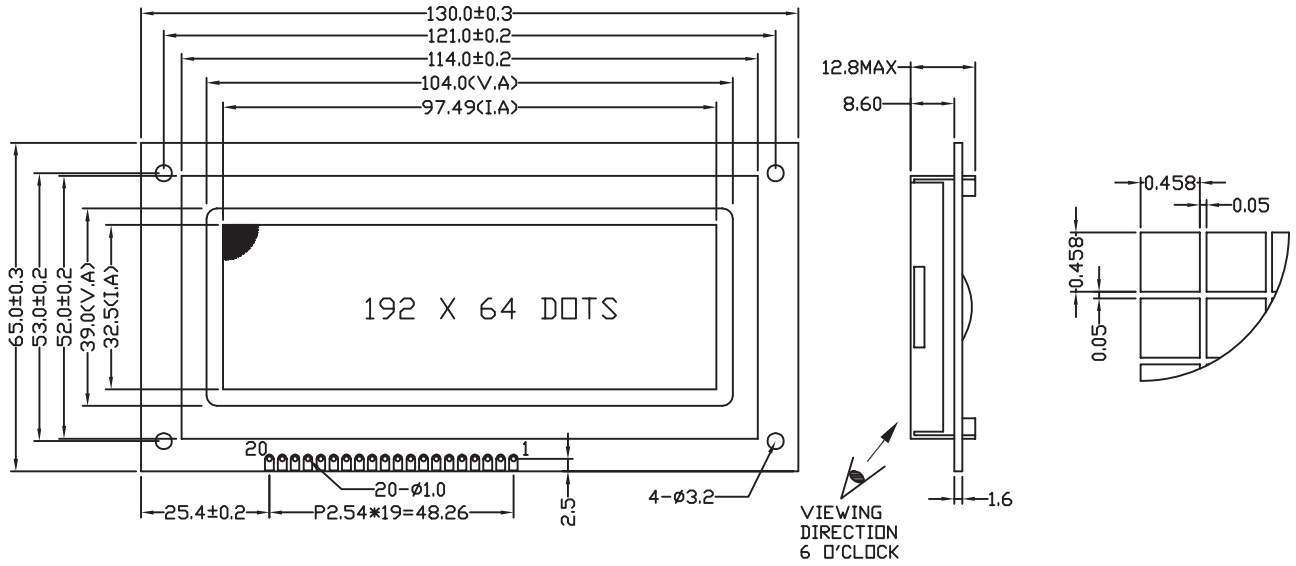
| TYPE | |
|-----------|---|
| LCD MODE | FS(COLOR)TN,STN(YELLOW GREEN),STN(GRAY),STN(BLUE) |
| POLARIZER | REFLECTIVE, TRANSFLECTIVE, TRANSMISSIVE |
| BACKLIGHT | LED BOTTOM LIGHT(YELLOW-GREEN), EL BACKLIGHT |

NOTE:

1. ALL DIMENSIONS ARE IN mm
2. MULTIPLEX LEVEL -- 1/128 DUTY 1/12 BIAS
3. DRIVING VOLTAGE -- VDD=5.0V VLCD=16.5V
4. OPERATING TEMPERATURE: 0°C TO 50°C
STORAGE TEMPERATURE: -20°C TO 70°C
5. STN YELLOW \ GREEN TRANSFLECTIVE POSITIVE MODE
6. VIEWING ANGLE: 6 O'CLOCK OR 12 O'CLOCK
7. CONNECTOR: COB

型号: LN160128-A





| PIN CONFIGURATION | | |
|-------------------|--------|---|
| ITEM | SYMBOL | DESCRIPTION |
| 1 | VSS | Power GND |
| 2 | VDD | Power Positive |
| 3 | V0 | Operating Voltage for LCD (Variable) |
| 4 | RS | Register Select |
| 5 | R/W | Read/Write Select |
| 6 | E | Enable Signal |
| 7 | DB0 | Data Bus |
| 8 | DB1 | Data Bus |
| 9 | DB2 | Data Bus |
| 10 | DB3 | Data Bus |
| 11 | DB4 | Data Bus |
| 12 | DB5 | Data Bus |
| 13 | DB6 | Data Bus |
| 14 | DB7 | Data Bus |
| 15 | /CS1 | Chip Enable Signal for IC1 |
| 16 | /RST | Reset Signal |
| 17 | /CS2 | Chip Enable Signal for IC2 |
| 18 | /CS3 | Chip Enable Signal for IC3 |
| 19 | VEE | Power supply for LCD Drive(contrast adjustment) |
| 20 | LEDA | LED Supply Voltage + (5V) |

| Mechanical data | | |
|----------------------|-----------------|------|
| ITEM | SPECIFICATION | UNIT |
| Module Size(W*H*T) | 130.0*65.0*12.8 | mm |
| Viewing Area(W*H) | 104.0*39.0 | mm |
| Internal Area(W*H) | 97.49*32.5 | mm |
| Dot Pitch(W*H) | 0.508*0.508 | mm |
| Dot Size(W*H) | 0.458*0.458 | mm |
| Number of Dots (W*H) | 192*64 | Char |
| Weight | -- | g |

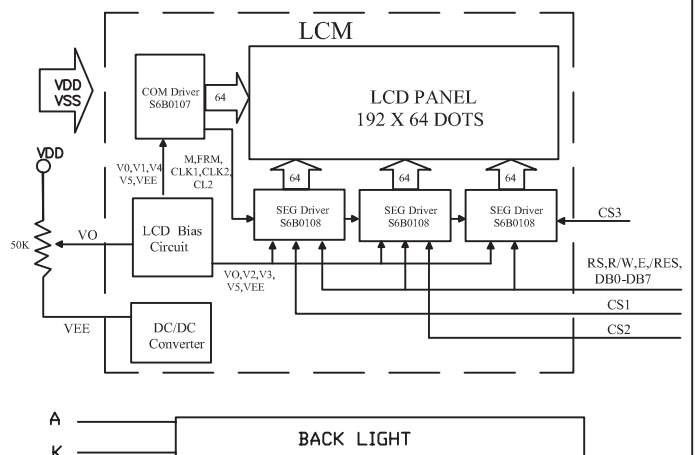
| ABSOLUTE MAXIMUM RATINGS(25°C) | | | | |
|--------------------------------|--------|---------|---------|------|
| PARAMETER | SYMBOL | MIN | MAX | UNIT |
| SUPPLY VOLTAGE LOGIC | VDD | -0.3 | +7.0 | V |
| SUPPLY VOLTAGE DRIVER | VLCD | VEE-0.3 | VDD+0.3 | V |
| INPUT VOLTAGE | VIN | -0.3 | VDD+0.3 | V |

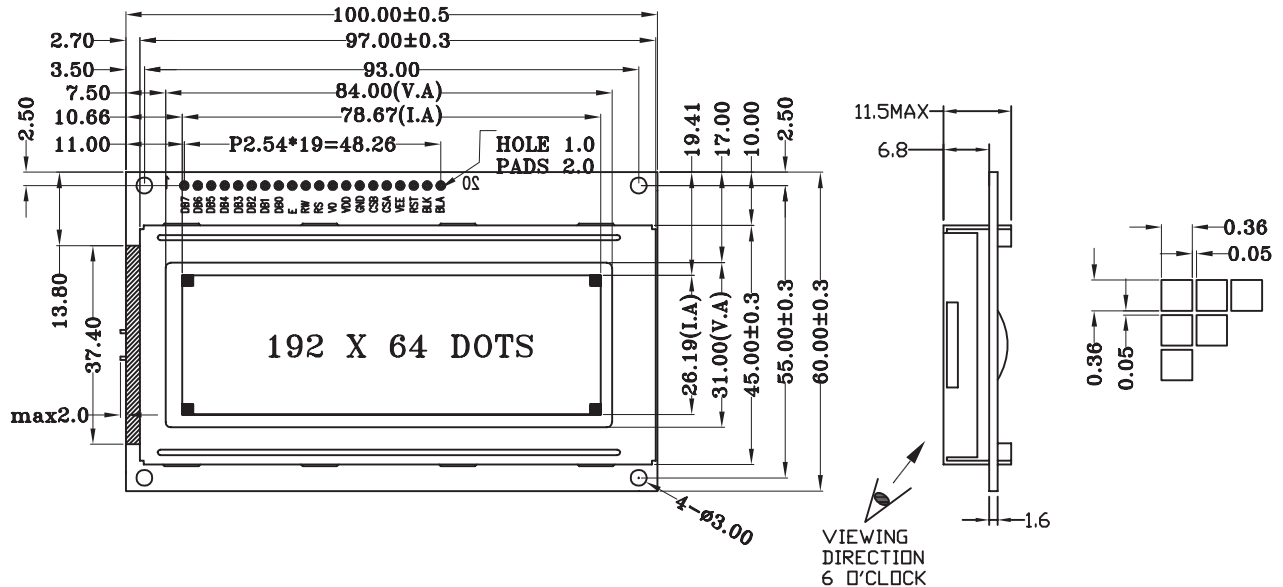
| TYPE | |
|-----------|--|
| LCD MODE | FS(COLOR)/TN,STN(YELLOW GREEN),STN(GRAY),STN(BLUE) |
| POLARIZER | REFLECTIVE, TRANSFLECTIVE, TRANSMISSIVE |
| BACKLIGHT | LED BOTTOM LIGHT(YELLOW-GREEN),EL BACKLIGHT |

NOTE:

1. ALL DIMENSIONS ARE IN mm
2. MULTIPLEX LEVEL -- 1/64 DUTY 1/9 BIAS
3. DRIVING VOLTAGE -- VDD=5.0V VLCD=14V
4. OPERATING TEMPERATURE: 0°C TO 50°C
STORAGE TEMPERATURE: -20°C TO 70°C
5. STN YELLOW \ GREEN TRANSFLECTIVE POSITIVE MODE
6. VIEWING ANGLE: 6 O'CLOCK OR 12 O'CLOCK
7. CONNECTOR: COB

型号: LN19264-A





| PIN CONFIGURATION | | |
|-------------------|--------|---|
| ITEM | SYMBOL | DESCRIPTION |
| 1 | DB7 | Data Bus |
| 2 | DB6 | Data Bus |
| 3 | DB5 | Data Bus |
| 4 | DB4 | Data Bus |
| 5 | DB3 | Data Bus |
| 6 | DB2 | Data Bus |
| 7 | DB1 | Data Bus |
| 8 | DB0 | Data Bus |
| 9 | E | Enable Signal |
| 10 | R/W | Read/Write Select |
| 11 | RS | Register Select |
| 12 | V0 | Operating Votage for LCD (Variable) |
| 13 | VDD | Power Positive |
| 14 | VSS | Power GND |
| 15 | CSB | Chip Selection |
| 16 | CSA | Chip Selection |
| 17 | VEE | Power supply for LCD Drive(contrast adjustment) |
| 18 | /RST | Reset Signal |
| 19 | LEDK | LED Supply Voltage - (0V) |
| 20 | LEDA | LED Supply Voltage + (5V) |

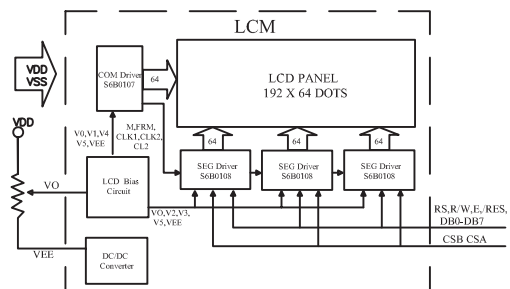
| Mechanical data | | |
|----------------------|-----------------|------|
| ITEM | SPECIFICATION | UNIT |
| Module Size(W*H*T) | 100.0*60.0*11.5 | mm |
| Viewing Area(W*H) | 84.0*31.0 | mm |
| Internal Area(W*H) | 78.67*26.19 | mm |
| Dot Pitch(W*H) | 0.41*0.41 | mm |
| Dot Size(W*H) | 0.36*0.36 | mm |
| Number of Dots (W*H) | 192*64 | Char |
| Weight | -- | g |

| ABSOLUTE MAXIMUM RATINGS(25°C) | | | | |
|--------------------------------|--------|---------|---------|------|
| PARAMETER | SYMBOL | MIN | MAX | UNIT |
| SUPPLY VOLTAGE LOGIC | VDD | -0.3 | +7.0 | V |
| SUPPLY VOLTAGE DRIVER | VLCD | VEE-0.3 | VDD+0.3 | V |
| INPUT VOLTAGE | VIN | -0.3 | VDD+0.3 | V |

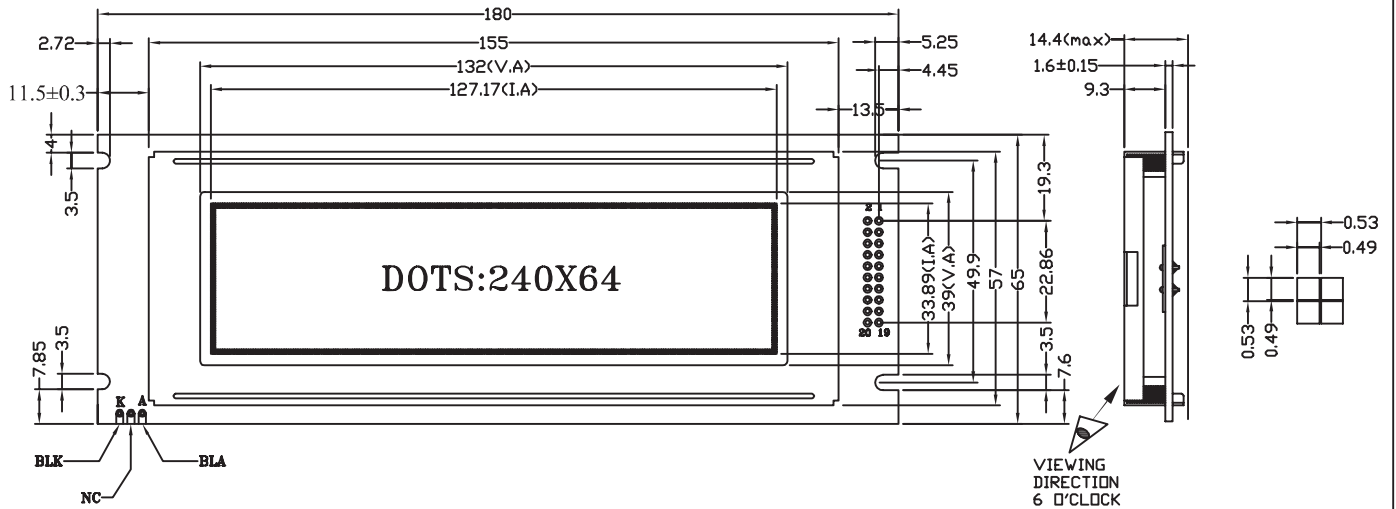
| TYPE | |
|-----------|---|
| LCD MODE | FS(COLOR)TN,STN(YELLOW GREEN),STN(GRAY),STN(BLUE) |
| POLARIZER | REFLECTIVE,TRANSFLECTIVE,TRANSMISSIVE |
| BACKLIGHT | LED BOTTOM LIGHT(YELLOW-GREEN),EL BACKLIGHT |

NOTE:

1. ALL DIMENSIONS ARE IN mm
2. MULTIPLEX LEVEL -- 1/64 DUTY 1/9 BIAS
3. DRIVING VOLTAGE -- VDD=5.0V VLCD=14.0V
4. OPERATING TEMPERATURE: 0°C TO 50°C
STORAGE TEMPERATURE: -20°C TO 70°C
5. STN YELLOW \ GREEN TRANSFLECTIVE POSITIVE MODE
6. VIEWING ANGLE: 6 O'CLOCK OR 12 O'CLOCK
7. CONNECTOR: COB



型号: LN19264-B



| PIN CONFIGURATION | | |
|-------------------|--------|---|
| ITEM | SYMBOL | DESCRIPTION |
| 1 | FGND | Frame Grand |
| 2 | VSS | Power GND |
| 3 | VDD | Power Positive |
| 4 | V0 | Operating Votage for LCD (Variable) |
| 5 | /WR | Data Write |
| 6 | /RD | Data Read |
| 7 | /CE | Chip Enable |
| 8 | C/D | Code/Data |
| 9 | NC | No Connect |
| 10 | /RST | Reset |
| 11 | DB0 | Data Bus |
| 12 | DB1 | Data Bus |
| 13 | DB2 | Data Bus |
| 14 | DB3 | Data Bus |
| 15 | DB4 | Data Bus |
| 16 | DB5 | Data Bus |
| 17 | DB6 | Data Bus |
| 18 | DB7 | Data Bus |
| 19 | FS | Font Select H: 6x8 (default) L: 8x8 |
| 20 | VEE | Power supply for LCD Drive(contrast adjustment) |
| BLA | LEDA | LED Supply Voltage + (5V) |
| BLK | LEDK | LED Supply Voltage - (0V) |

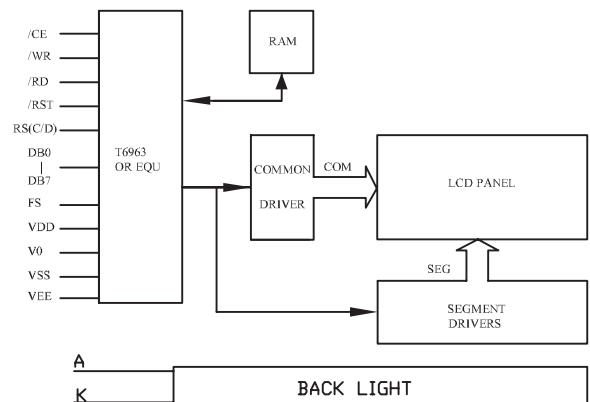
| Mechanical data | | |
|----------------------|---------------|------|
| ITEM | SPECIFICATION | UNIT |
| Module Size(W*H*T) | 180*65*14.4 | mm |
| Viewing Area(W*H) | 132.0*39.0 | mm |
| Internal Area(W*H) | 127.17*33.89 | mm |
| Dot Pitch(W*H) | 0.49*0.49 | mm |
| Dot Size(W*H) | 0.53*0.53 | mm |
| Number of Dots (W*H) | 240*64 | Char |
| Weight | -- | g |

| ABSOLUTE MAXIMUM RATINGS(25°C) | | | | |
|--------------------------------|--------|------|---------|------|
| PARAMETER | SYMBOL | MIN | MAX | UNIT |
| SUPPLY VOLTAGE LOGIC | VDD | -0.3 | +7.0 | V |
| SUPPLY VOLTAGE DRIVER | VLCD | 10.5 | 14.4 | V |
| INPUT VOLTAGE | VIN | -0.3 | VDD+0.3 | V |

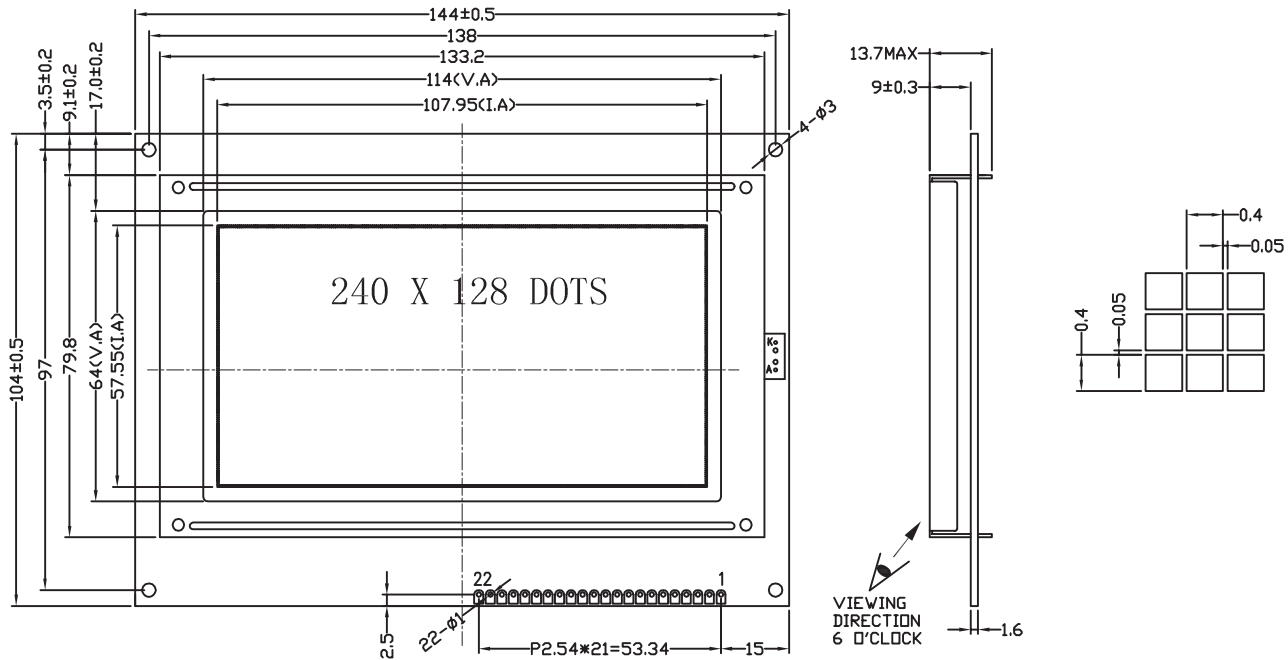
| TYPE | |
|-----------|---|
| LCD MODE | FS(COLOR)TN,STN(YELLOW GREEN),STN(GRAY),STN(BLUE) |
| POLARIZER | REFLECTIVE, TRANSFLECTIVE, TRANSMISSIVE |
| BACKLIGHT | LED BOTTOM LIGHT(YELLOW-GREEN), EL BACKLIGHT |

NOTE:

- ALL DIMENSIONS ARE IN mm
- MULTIPLEX LEVEL -- 1/64 DUTY 1/9 BIAS
- DRIVING VOLTAGE -- VDD=5.0V VLCD=14.0V
- OPERATING TEMPERATURE: 0°C TO 50°C
STORAGE TEMPERATURE: -20°C TO 70°C
- STN YELLOW \ GREEN TRANSFLECTIVE POSITIVE MODE
- VIEWING ANGLE: 6 O'CLOCK OR 12 O'CLOCK
- CONNECTOR: COB



型号: LN24064-A



| PIN CONFIGURATION | | |
|-------------------|--------|---|
| ITEM | SYMBOL | DESCRIPTION |
| 1 | FGND | Frame Grand |
| 2 | VSS | Power GND |
| 3 | VDD | Power Positive |
| 4 | V0 | Operating Votage for LCD (Variable) |
| 5 | /WR | Data Write |
| 6 | /RD | Data Read |
| 7 | /CE | Chip Enable |
| 8 | C/D | Code/Data |
| 9 | NC | No Connect |
| 10 | /RST | Reset |
| 11 | DB0 | Data Bus |
| 12 | DB1 | Data Bus |
| 13 | DB2 | Data Bus |
| 14 | DB3 | Data Bus |
| 15 | DB4 | Data Bus |
| 16 | DB5 | Data Bus |
| 17 | DB6 | Data Bus |
| 18 | DB7 | Data Bus |
| 19 | FS | Font Select H: 6x8 (default) L : 8x8 |
| 20 | VEE | Power supply for LCD Drive(contrast adjustment) |
| 21 | LEDA | LED Supply Voltage + (5V) |
| 22 | LEDK | LED Supply Voltage - (0V) |

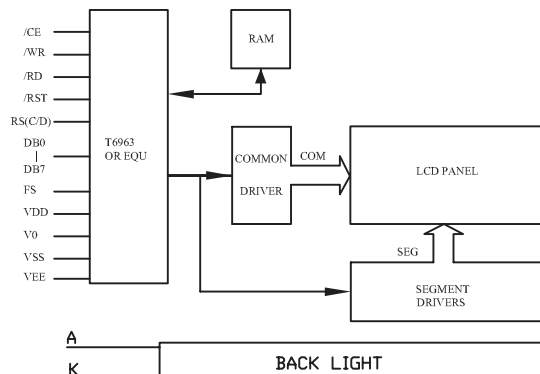
NOTE:

1. ALL DIMENSIONS ARE IN mm
2. MULTIPLEX LEVEL -- 1/128 DUTY 1/12 BIAS
3. DRIVING VOLTAGE -- VDD=5.0V VLCD=18.5V
4. OPERATING TEMPERATURE: 0°C TO 50°C
STORAGE TEMPERATURE: -20°C TO 70°C
5. STN YELLOW \ GREEN TRANSFLECTIVE POSITIVE MODE
6. VIEWING ANGLE: 6 O'CLOCK OR 12 O'CLOCK
7. CONNECTOR: COB

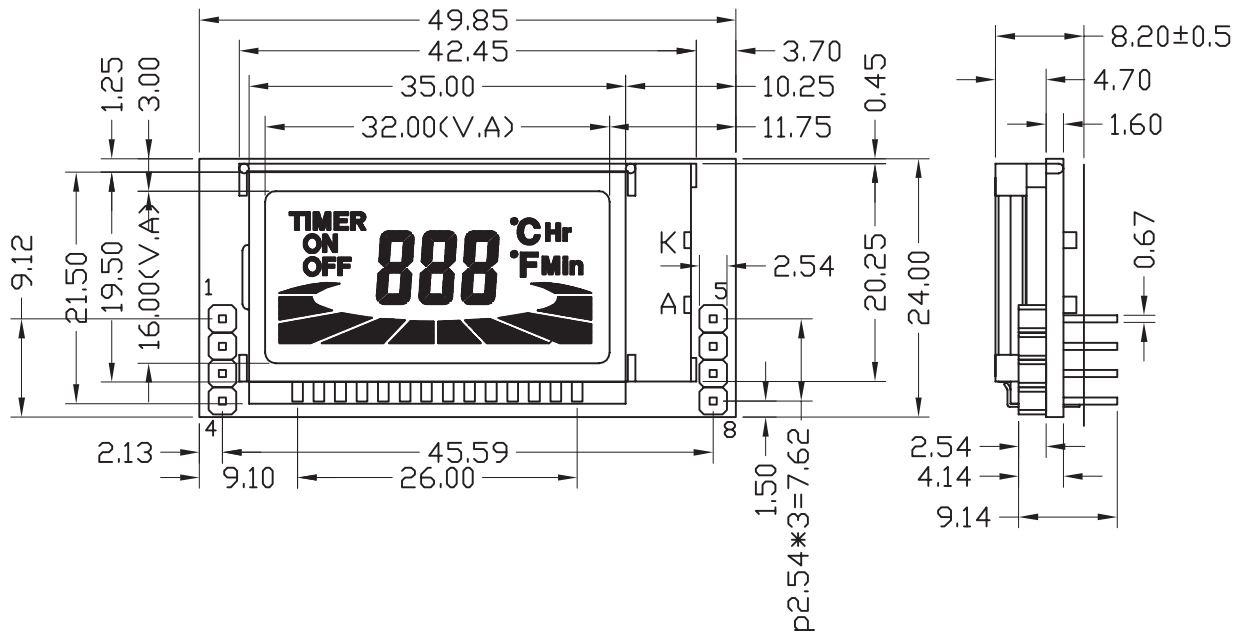
| Mechanical data | | |
|----------------------|------------------|------|
| ITEM | SPECIFICATION | UNIT |
| Module Size(W*H*T) | 144.0*104.0*13.7 | mm |
| Viewing Area(W*H) | 114.0*64.0 | mm |
| Intemal Area(W*H) | 107.95*57.55 | mm |
| Dot Pitch(W*H) | 0.45*0.45 | mm |
| Dot Size(W*H) | 0.4*0.4 | mm |
| Number of Dots (W*H) | 240*128 | Char |
| Weight | -- | g |

| ABSOLUTE MAXIMUM PATINGS(25°C) | | | | |
|--------------------------------|--------|------|---------|------|
| PARAMETER | SYMBOL | MIN | MAX | UNIT |
| SUPPLY VOLTAGE LOGIC | VDD | -0.3 | +7.0 | V |
| SUPPLY VOLTAGE DRIVER | VLCD | 15 | 23 | V |
| INPUT VOLTAGE | VIN | -0.3 | VDD+0.3 | V |

| TYPE | |
|-----------|---|
| LCD MODE | FS(COLOR)TN,STN(YELLOW GREEN),STN(GRAY),STN(BLUE) |
| POLARIZER | REFLECTIVE,TRANSFLECTIVE,TRANSMISSIVE |
| BACKLIGHT | LED BOTTOM LIGHT(YELLOW-GREEN),EL BACKLIGHT |



型号: LN240128-A



| PIN CONFIGURATION | | |
|-------------------|--------|---------------------------|
| ITEM | SYMBOL | DESCRIPTION |
| 1 | BLK | LED Supply Voltage - (0V) |
| 2 | BLA | LED Supply Voltage + (5V) |
| 3 | /RD | Data Read |
| 4 | CS | Chip Selection |
| 5 | /WR | Data Write |
| 6 | DATA | Data |
| 7 | VSS | Power GND |
| 8 | VDD | Power Positive |

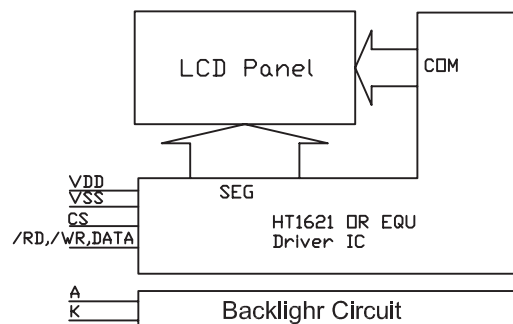
| Mechanical data | | | |
|--------------------|----------------|------|--|
| ITEM | SPECIFICATION | UNIT | |
| Module Size(W*H*T) | 49.85*24.0*8.2 | mm | |
| Viewing Area(W*H) | 32.0*16.0 | mm | |
| Weight | -- | g | |

| ABSOLUTE MAXIMUM RATINGS(25°C) | | | | |
|--------------------------------|--------|-------|---------|------|
| PARAMETER | SYMBOL | MIN | MAX | UNIT |
| SUPPLY VOLTAGE LOGIC | VDD | -0.3 | +7.0 | V |
| SUPPLY VOLTAGE DRIVER | VLCD | VDD-3 | VDD | V |
| INPUT VOLTAGE | VIN | -0.3 | VDD+0.3 | V |

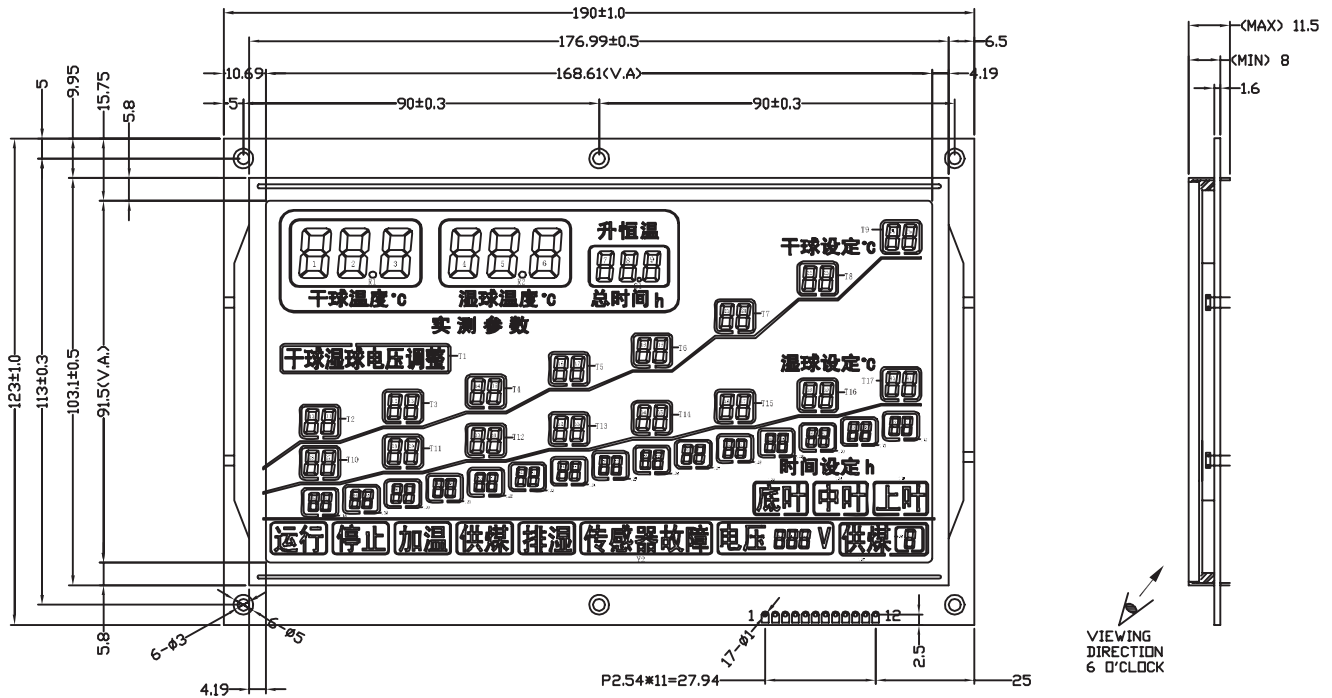
| TYPE | |
|-----------|---|
| LCD MODE | FS(COLOR)TN,STN(YELLOW GREEN),STN(GRAY),STN(BLUE) |
| POLARIZER | REFLECTIVE,TRANSFLECTIVE,TRANSMISSIVE |
| BACKLIGHT | LED BOTTOM LIGHT(YELLOW-GREEN),EL BACKLIGHT |

NOTE:

1. ALL DIMENSIONS ARE IN mm
2. MULTIPLEX LEVEL -- 1/4 DUTY 1/3 BIAS
3. DRIVING VOLTAGE -- VDD=5.0V VLCD=4.0V
4. OPERATING TEMPERATURE: 0°C TO 50°C
STORAGE TEMPERATURE: -20°C TO 70°C
5. STN YELLOW \ GREEN TRANSFLECTIVE POSITIVE MODE
6. VIEWING ANGLE: 6 O'CLOCK OR 12 O'CLOCK
7. CONNECTOR: COB



型号: LN6801



| PIN CONFIGURATION | | |
|-------------------|--------|---------------------------|
| ITEM | SYMBOL | DESCRIPTION |
| 1 | CS1 | Chip Selection For IC1 |
| 2 | CS2 | Chip Selection For IC2 |
| 3 | CS3 | Chip Selection For IC3 |
| 4 | CS4 | Chip Selection For IC4 |
| 5 | CS5 | Chip Selection For IC5 |
| 6 | /RD | Data Read |
| 7 | /WR | Data Write |
| 8 | DATA | Data |
| 9 | VDD | Power Positive |
| 10 | VSS | Power GND |
| 11 | BLA | LED Supply Voltage + (5V) |
| 12 | BLK | LED Supply Voltage - (0V) |

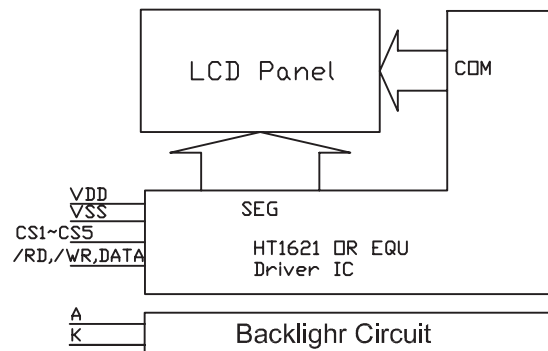
| Mechanical data | | |
|--------------------|---------------|------|
| ITEM | SPECIFICATION | UNIT |
| Module Size(W*H*T) | 190*123*11.5 | mm |
| Viewing Area(W*H) | 168.61*91.5 | mm |
| Weight | -- | g |

| ABSOLUTE MAXIMUM RATINGS(25°C) | | | | |
|--------------------------------|--------|-------|---------|------|
| PARAMETER | SYMBOL | MIN | MAX | UNIT |
| SUPPLY VOLTAGE LOGIC | VDD | -0.3 | +7.0 | V |
| SUPPLY VOLTAGE DRIVER | VLCD | VDD-3 | VDD | V |
| INPUT VOLTAGE | VIN | -0.3 | VDD+0.3 | V |

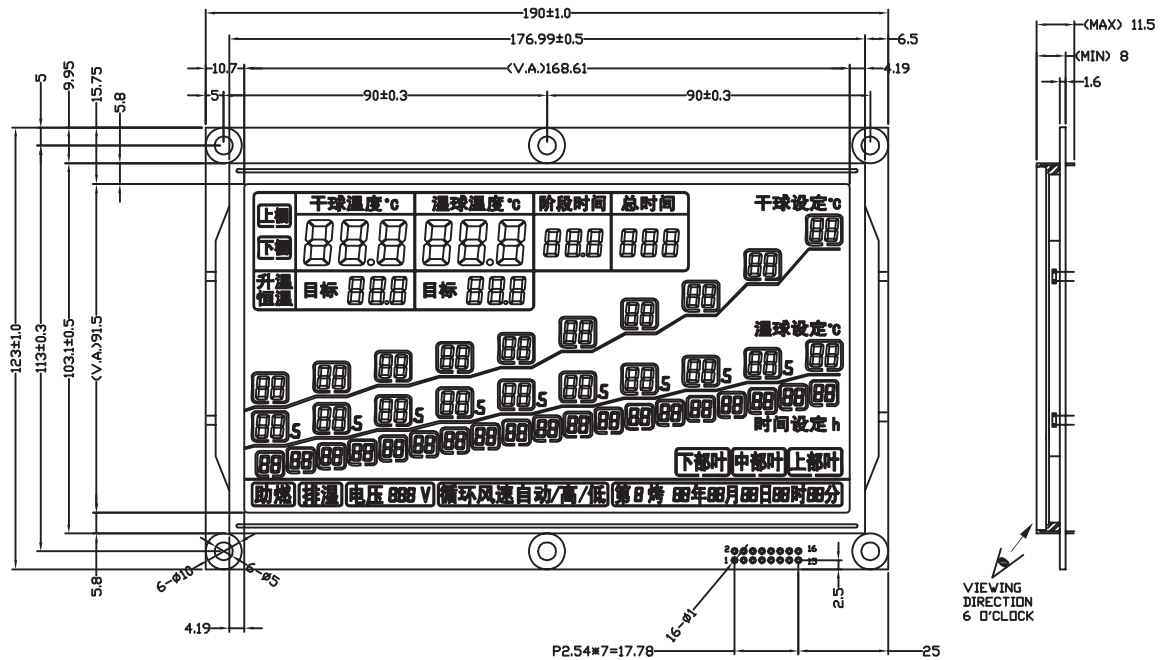
| TYPE | |
|-----------|---|
| LCD MODE | FS(COLOR)TN,STN(YELLOW GREEN),STN(GRAY),STN(BLUE) |
| POLARIZER | REFLECTIVE,TRANSFLECTIVE,TRANSMISSIVE |
| BACKLIGHT | LED BOTTOM LIGHT(YELLOW-GREEN),EL BACKLIGHT |

NOTE:

1. ALL DIMENSIONS ARE IN mm
2. MULTIPLEX LEVEL -- 1/4 DUTY 1/3 BIAS
3. DRIVING VOLTAGE -- VDD=5.0V VLCD=4.0V
4. OPERATING TEMPERATURE: 0°C TO 50°C
STORAGE TEMPERATURE: -20°C TO 70°C
5. STN YELLOW \ GREEN TRANSFLECTIVE POSITIVE MODE
6. VIEWING ANGLE: 6 O'CLOCK OR 12 O'CLOCK
7. CONNECTOR: COB



型号: LN6802



| PIN CONFIGURATION | | |
|-------------------|--------|---------------------------|
| ITEM | SYMBOL | DESCRIPTION |
| 1 | CS1 | Chip Selection For IC1 |
| 2 | CS2 | Chip Selection For IC2 |
| 3 | CS3 | Chip Selection For IC3 |
| 4 | CS4 | Chip Selection For IC4 |
| 5 | CS5 | Chip Selection For IC5 |
| 6 | CS6 | Chip Selection For IC6 |
| 7 | CS7 | Chip Selection For IC7 |
| 8 | /RD | Data Read |
| 9 | /WR | Data Write |
| 10 | DATA | Data |
| 11 | VDD | Power Positive |
| 12 | VSS | Power GND |
| 13 | BLA | LED Supply Voltage + (5V) |
| 14 | BLK | LED Supply Voltage - (0V) |
| 15 | NC | No Connect |
| 16 | NC | No Connect |

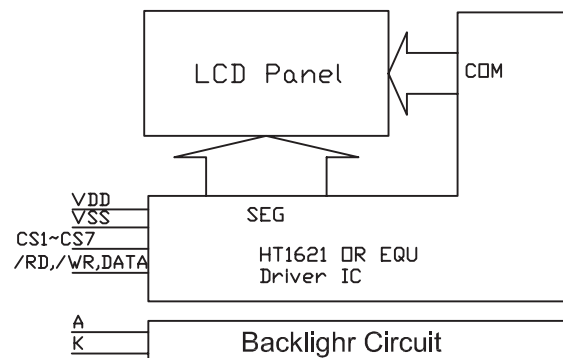
| Mechanical data | | |
|--------------------|---------------|------|
| ITEM | SPECIFICATION | UNIT |
| Module Size(W*H*T) | 190*123*11.5 | mm |
| Viewing Area(W*H) | 168.61*91.5 | mm |
| Weight | -- | g |

| ABSOLUTE MAXIMUM RATINGS(25°C) | | | | |
|--------------------------------|--------|-------|---------|------|
| PARAMETER | SYMBOL | MIN | MAX | UNIT |
| SUPPLY VOLTAGE LOGIC | VDD | -0.3 | +7.0 | V |
| SUPPLY VOLTAGE DRIVER | VLCD | VDD-3 | VDD | V |
| INPUT VOLTAGE | VIN | -0.3 | VDD+0.3 | V |

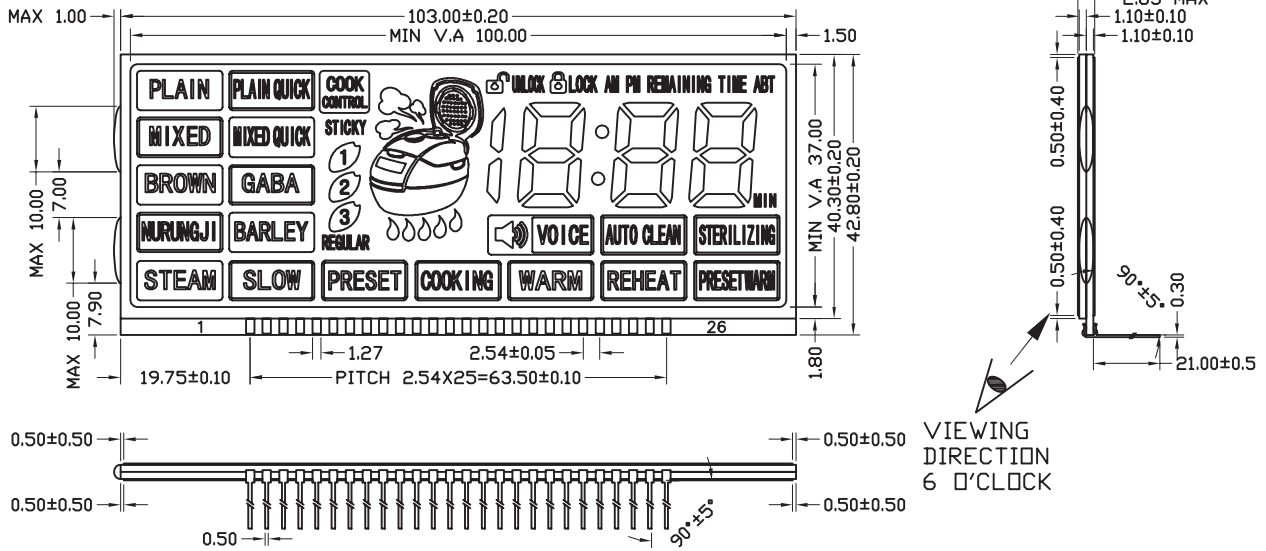
| TYPE | |
|-----------|---|
| LCD MODE | FS(COLOR)TN,STN(YELLOW GREEN),STN(GRAY),STN(BLUE) |
| POLARIZER | REFLECTIVE, TRANSFLECTIVE, TRANSMISSIVE |
| BACKLIGHT | LED BOTTOM LIGHT(YELLOW-GREEN), EL BACKLIGHT |

NOTE:

1. ALL DIMENSIONS ARE IN mm
2. MULTIPLEX LEVEL -- 1/4 DUTY 1/3 BIAS
3. DRIVING VOLTAGE -- VDD=5.0V VLCD=4.0V
4. OPERATING TEMPERATURE: 0°C TO 50°C
STORAGE TEMPERATURE: -20°C TO 70°C
5. STN YELLOW \ GREEN TRANSFLECTIVE POSITIVE MODE
6. VIEWING ANGLE: 6 O'CLOCK OR 12 O'CLOCK
7. CONNECTOR: COB



型号: LN6803



| Mechanical data | | |
|--------------------|---------------|------|
| ITEM | SPECIFICATION | UNIT |
| Module Size(W*H*T) | 103*12.8*2.85 | mm |
| Viewing Area(W*H) | 100.037.0 | mm |
| Weight | -- | g |

| ABSOLUTE MAXIMUM RATINGS(25°C) | | | | |
|--------------------------------|--------|-------|---------|------|
| PARAMETER | SYMBOL | MIN | MAX | UNIT |
| SUPPLY VOLTAGE LOGIC | VDD | -0.3 | +7.0 | V |
| SUPPLY VOLTAGE DRIVER | VLCD | VDD-3 | 14.0 | V |
| INPUT VOLTAGE | VIN | -0.3 | VDD+0.3 | V |

| TYPE | |
|-----------|---|
| LCD MODE | FS(COLOR)TN,STN(YELLOW GREEN),STN(GRAY),STN(BLUE) |
| POLARIZER | REFLECTIVE,TRANSFLECTIVE,TRANSMISSIVE |
| BACKLIGHT | LED BOTTOM LIGHT(YELLOW-GREEN),EL BACKLIGHT |

NOTE:

1. ALL DIMENSIONS ARE IN mm
2. MULTIPLEX LEVEL -- 1/1 DUTY 1/1 BIAS
3. DRIVING VOLTAGE -- VDD=5.0V VLCD=4.8V
4. OPERATING TEMPERATURE: 0°C TO 50°C
STORAGE TEMPERATURE: -20°C TO 70°C
5. STN YELLOW \ GREEN TRANSFLECTIVE POSITIVE MODE
6. VIEWING ANGLE: 6 O'CLOCK OR 12 O'CLOCK
7. CONNECTOR: COB

型号: LN6804